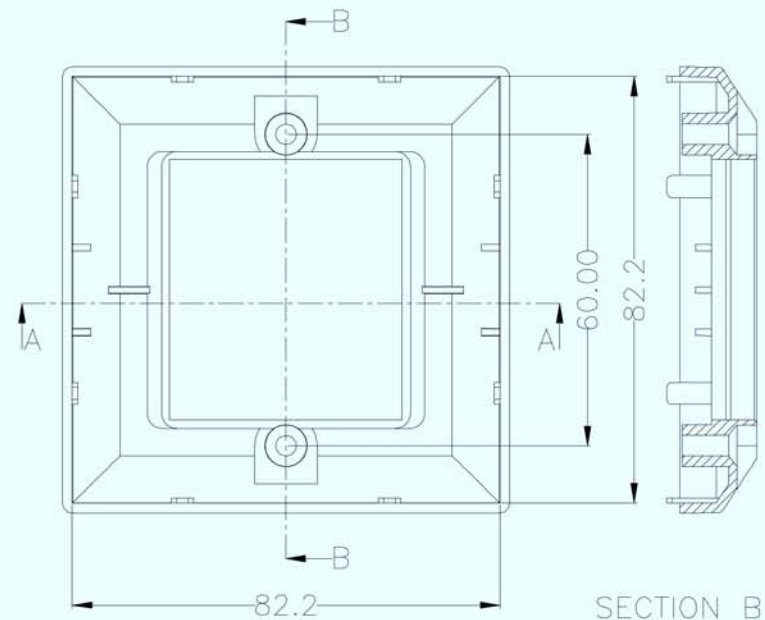
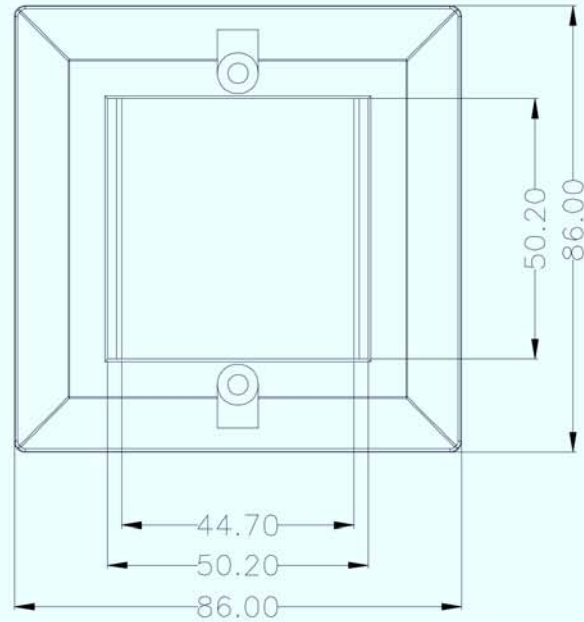


RevNo	Revision note	Date	Signature	Checked



SECTION A-A

SECTION B-B

NOTE:

- 1.MATERIAL : ABS
- 2.BURR : 0.05mm MAX
- 3.RoHS & REACH Compliant
- 4:Color:RAL9003

LItemref	Quantity	Title/Name,designation,material,dimension etc			Article No./Reference
Designed by	Checked by	Approved by - date Mar.02.2017	File name Face Plate	Date Mar.02.2017	Scale FREE
ANGLE: 		Beveled Single Gang Face Plate			
UNIT:MM		20-0001	Edition 1	Sheet 1/1	