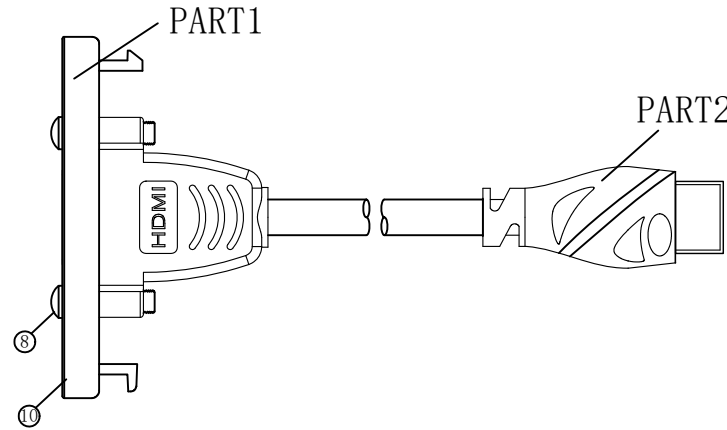
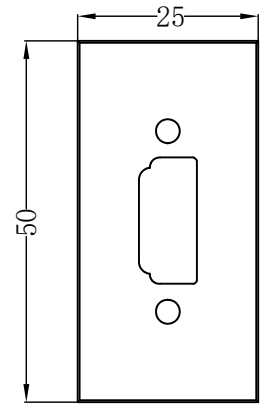
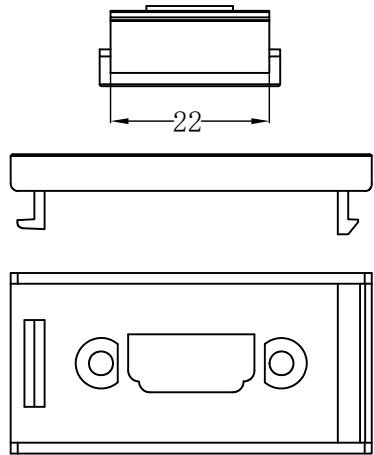


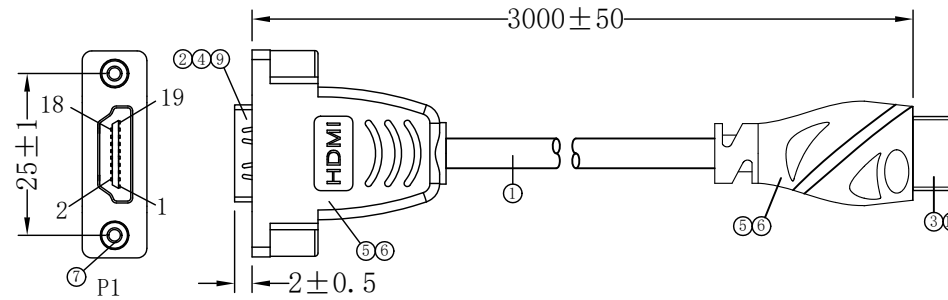
⑥	20-1030/8K-4/5	USB3.2 TYPE M/F+PANEL	1	PCS	<table border="1"> <tr> <th>Ltemref</th> <th>Quantity</th> <th colspan="2">Title/Name, designation, material, dimension etc</th> <th colspan="2">Article NO./Reference</th> </tr> <tr> <td>Designed by</td> <td>Checkde by</td> <td>Approved by - date</td> <td>File name</td> <td>Date</td> <td>Scale</td> </tr> <tr> <td>FLY</td> <td>HELEN</td> <td>2025. 09. 29</td> <td></td> <td>2025. 09. 29</td> <td>FREE</td> </tr> <tr> <td colspan="2">ANGLE: </td> <td colspan="4" rowspan="2"></td> </tr> <tr> <td colspan="2">UNIT:MM</td> </tr> </table>	Ltemref	Quantity	Title/Name, designation, material, dimension etc		Article NO./Reference		Designed by	Checkde by	Approved by - date	File name	Date	Scale	FLY	HELEN	2025. 09. 29		2025. 09. 29	FREE	ANGLE:						UNIT:MM	
Ltemref	Quantity	Title/Name, designation, material, dimension etc		Article NO./Reference																											
Designed by	Checkde by	Approved by - date	File name	Date		Scale																									
FLY	HELEN	2025. 09. 29		2025. 09. 29		FREE																									
ANGLE:																															
UNIT:MM																															
⑤	20-1030/8K-1/2	HDMI2.1 AM-AF+PANEL	1	PCS																											
④	20-1030/8K-8	BACK BOX	1	PCS																											
③	20-1030/8K-7	FACE PLATE	1	PCS																											
②	20-1030/8K-6	USB3.2 TYPE CM-CM	1	PCS																											
①	20-1030/8K-3	HDMI2.1 AM-AM	1	PCS																											
NO.	MATERIAL	DESCRIPTION	QTY.	UNIT	20-1030/8KHDMIUSBC	Edition 1	Sheet 1/7																								



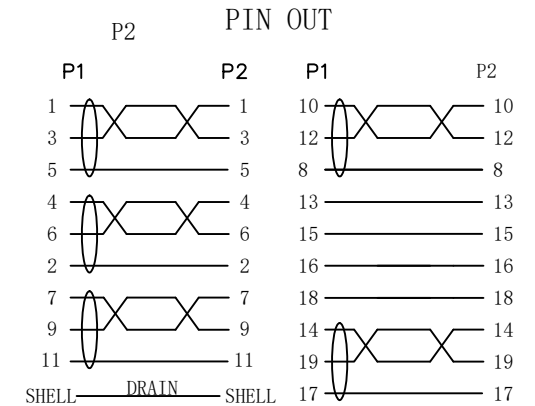
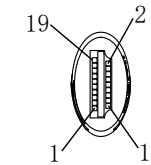
- A. Electronic Tests:
1. Open/Short/Intermittence: 100%
  2. Hi-Pot: AC 150V 0.01S 1mA
  3. Insulation Resistance: DC 300V 0.01S 10MΩ Min
  4. Conductive Resistance: 2Ω Max
- B. Functional Test:
- The set supports 7680\*4320@60HZ or 3840\*2160@120Hz video resolution
- C. Face plate color:RAL9003



PART1

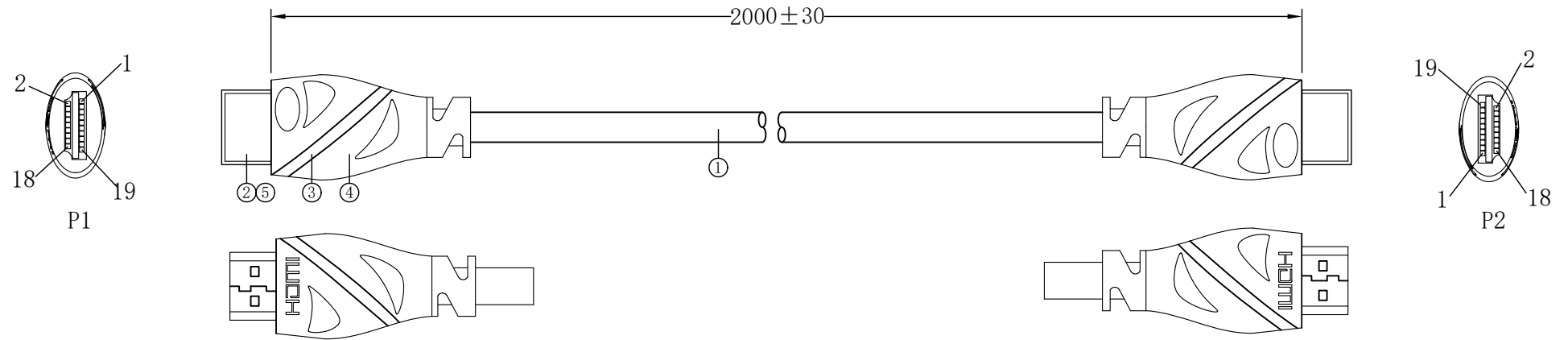


PART2

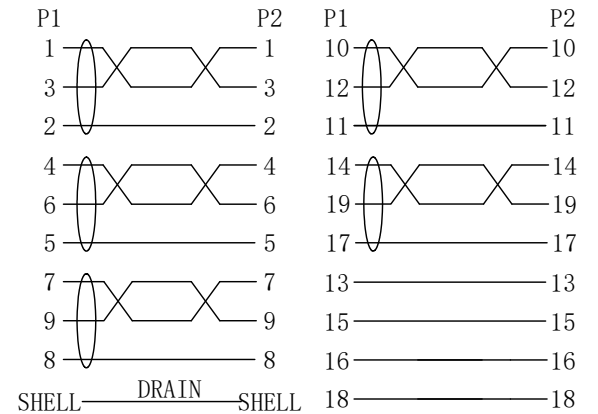


①	PANEL	ABS PANEL FOR HDMI AF, 50*25mm, Color:RAL9003	1	PCS
⑩	DUST CAP	HDMI A MALE DUST CAP	1	PCS
⑨	COPPER FOIL	DOUBLE SIDED CONDUCTIVE COPPER FOIL W=18MM	2	PCS
⑧	PHILIPS SCREW	PHILLIPS SCREW, #4-40, NI PLATED, L=14.5MM	2	PCS
⑦	EMBEDED NUT	SHOULDER SCREW, #4-40, φ4.5, L=10MM, CHAMFERED ENDS, NICKEL PLATED	2	PCS
⑥	MOLDING	45P BLACK PVC		G
⑤	MOLDING	LDPE MG70		G
④	CONNECTOR SHEATH	HDMI TYPE A FEMALE PLUG, SHORT BODY, BLACK BOOT, L=8.5MM	1	PCS
③	CONNECTOR	HDMI 19P A MALE, GOLD PLATED PIN, BLACK INSULATION, GOLD PLATED SHELL+INTEGRATED TINPLATE	1	PCS
②	CONNECTOR	HDMI 19P A FEMALE, GOLD PLATED PIN, BLACK INSULATION, GOLD PLATED SHELL	1	PCS
①	CABLE	HDMI2.1 [(1/0.34BC)*2C+D(1/0.254TC)+AL-FOIL]*5C+(1/0.25BC)*4C+AL-FOIL+D(1/0.25BC)+B(16/10/0.12 AL-Mg), BLACK PVC JACKET, OD:7.3±0.2MM MARKING:Ultra High Speed HDMI™ Cable with Etherne	3000	MM
NO.	MATERIAL	DESCRIPTION	QTY.	UNIT

Ltemref	Quantity	Title/Name, designation, material, dimension etc			Article NO./Reference		
Designed by FLY	Checkde by HELEN	Approved by - date 2025.09.29	File name	Date 2025.09.29	Scale FREE		
ANGLE:				HDMI2.1 AM-AF+PANEL			
UNIT:MM				20-1030/8K-1/2	Edition 1	Sheet 2/7	



PIN OUT



A. Electronic Tests:

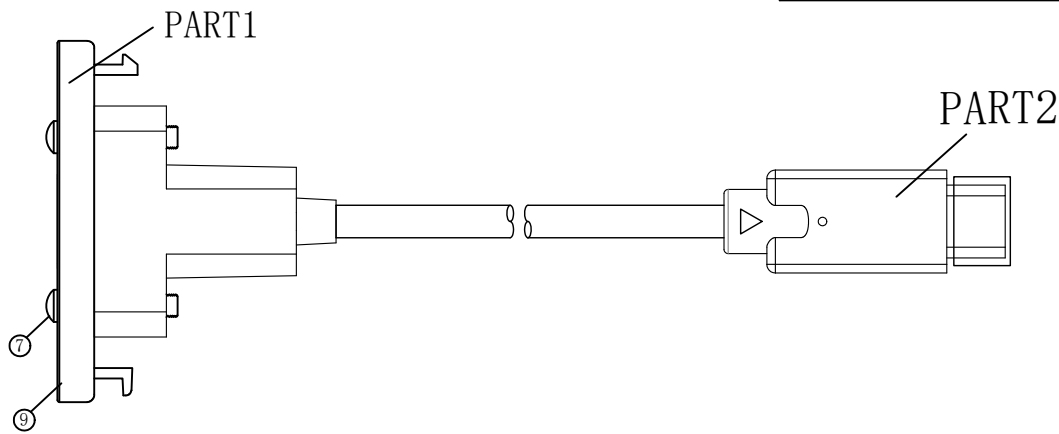
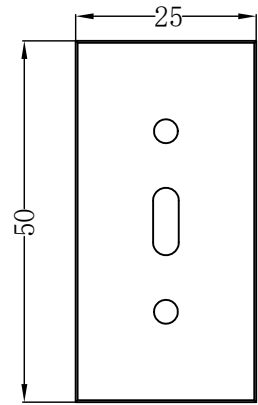
1. Open/Short/Intermittence: 100%
2. Hi-Pot: AC 150V 0.01S 1mA
3. Insulation Resistance: DC 300V 0.01S 10MΩ Min
4. Conductive Resistance: 2Ω Max

B. Functional Test:

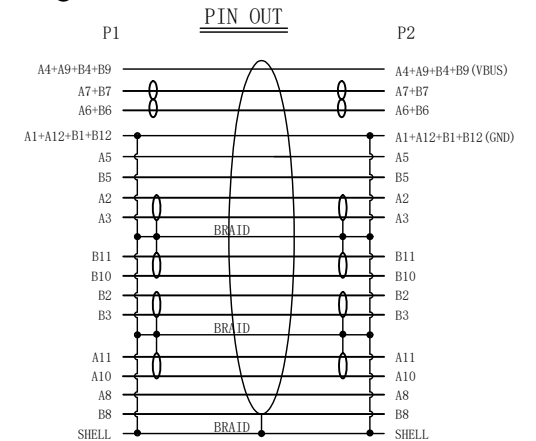
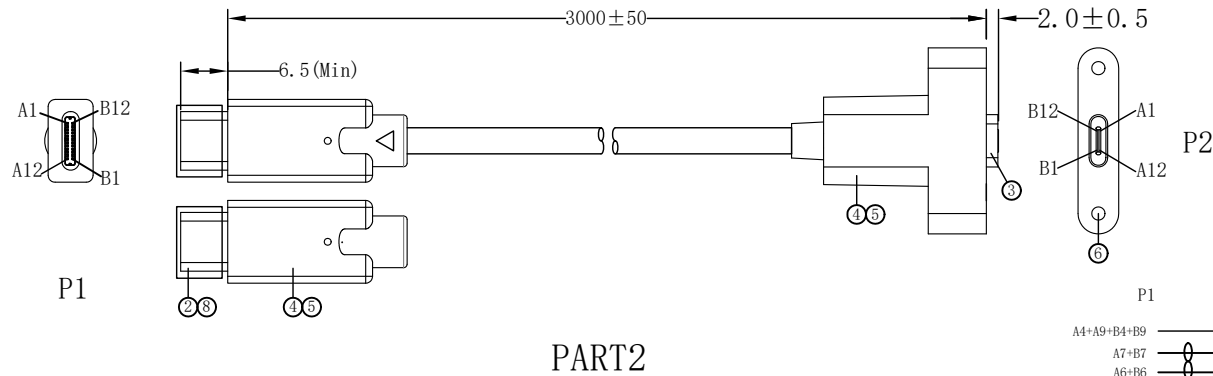
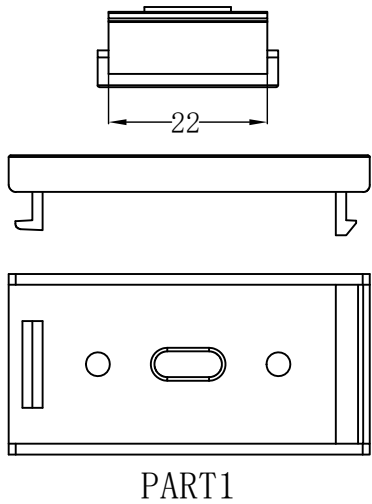
1. The set supports 7680\*4320@60HZ or 3840\*2160@120Hz video resolution

⑤	DUST CAP	HDMI A MALE DUST CAP	2	PCS
④	MOLDED	45P BLACK PVC		G
③	MOLDED	LDPE		G
②	CONNECTOR	HDMI 19P A MALE, GOLD PLATED PIN, BLACK INSULATION, GOLD PLATED SHELL+INTEGRATED TINPLATE	2	PCS
①	CABLE	HDMI2.1 [(1/0.34BC)*2C+D(1/0.254TC)+AL-FOIL]*5C+(1/0.25BC)*4C+AL-FOIL+D(1/0.25BC)+B(16/10/0.12 AL-Mg), BLACK PVC JACKET, OD:7.3±0.2MM MARKING:Ultra High Speed HDMI™ Cable with Etherne	2000	MM
NO.	MATERIAL	DESCRIPTION	QTY.	UNIT

Ltemref	Quantity	Title/Name, designation, material, dimension etc			Article NO./Reference	
Designed by FLY	Checkde by HELEN	Approved by - date 2025. 09. 29	File name	Date 2025. 09. 29	Scale FREE	
ANGLE:				HDMI2.1 AM-AM		
UNIT:MM				20-1030/8K-3	Edition 1	Sheet 3/7

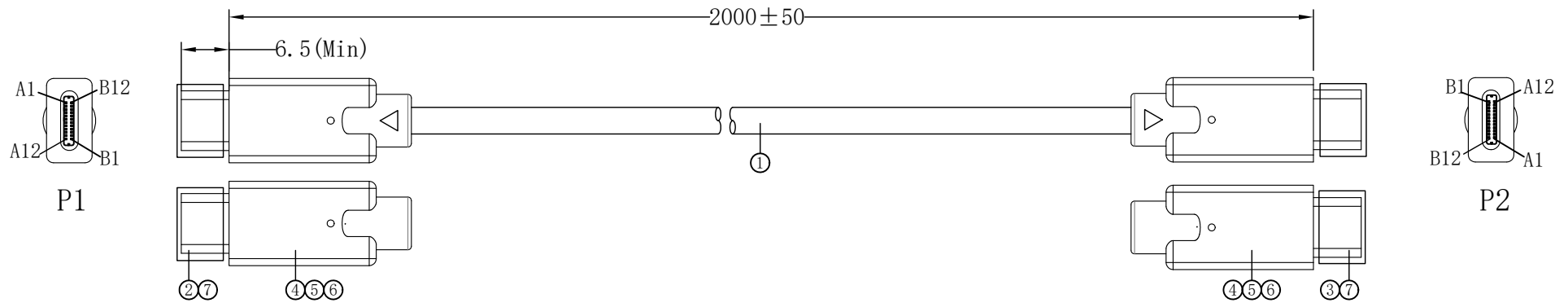


- A. Electronic Tests:
1. Open/Short/Intermittence: 100%
  2. Hi-Pot: AC 150V 0.01S 1mA
  3. Insulation Resistance: DC 300V 0.01S 10MΩ Min
  4. Conductive Resistance: 2Ω Max
- B. Functional Test:
1. The set supports 4K@60Hz video resolution
- C. Face plate color:RAL9003



⑨	PANEL	ABS PANEL FOR HDMI AF, 50*25mm, Color:RAL9003	1	PCS
⑧	DUST CAP	TYPE C MALE DUST COVER	1	PCS
⑦	PHILIPS SCREW	PHILLIPS SCREW, #4-40, NI PLATED, L=15MM	2	PCS
⑥	EMBEDDED NUT	PEM NUT, #4-40, NI PLATED, L=10MM	2	PCS
⑤	MOLDING	45P BLACK PVC		G
④	MOLDING	LDPE MG70		G
③	CONNECTOR	TYPE C FEMALE, GOLD PLATED PIN, NICKEL PLATED SHELL+TINPLATE SHIELDING SHELL	1	PCS
②	CONNECTOR	TYPE C MALE, GOLD PLATED PIN, NICKEL PLATED SHELL+TINPLATE SHIELDING SHELL	1	PCS
①	CABLE	[1/0. 22B*1P+D(1/0. 2B)AL+HM]*4C +1/0. 2B*1P+1/0. 20B*4C+7/0. 20B*2C+F+D(41/0. 08T) +AB(16/5/0. 08T), BLACK PVC JACKET OD:4. 8±0. 2MM	3000	MM
NO.	MATERIAL	DESCRIPTION	QTY.	UNIT

Ltemref	Quantity	Title/Name, designation, material, dimension etc			Article NO./Reference		
Designed by FLY	Checkde by HELEN	Approved by - date 2025. 09. 29	File name	Date 2025. 09. 29	Scale FREE		
ANGLE:				USB3. 2 TYPE M/F+PANEL			
UNIT:MM				20-1030/8K-4/5	Edition 1	Sheet 4/7	



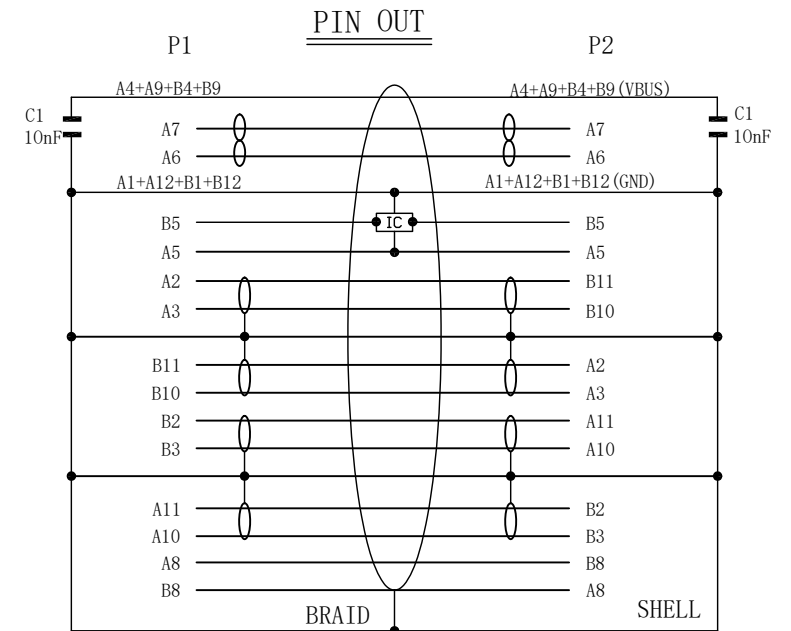
A. Electronic Tests:

1. Open/Short/Intermittence: 100%
2. Hi-Pot: AC 150V 0.01S 1mA
3. Insulation Resistance: DC 300V 0.01S 10MΩ Min
4. Conductive Resistance: 2Ω Max

B. Functional Test:

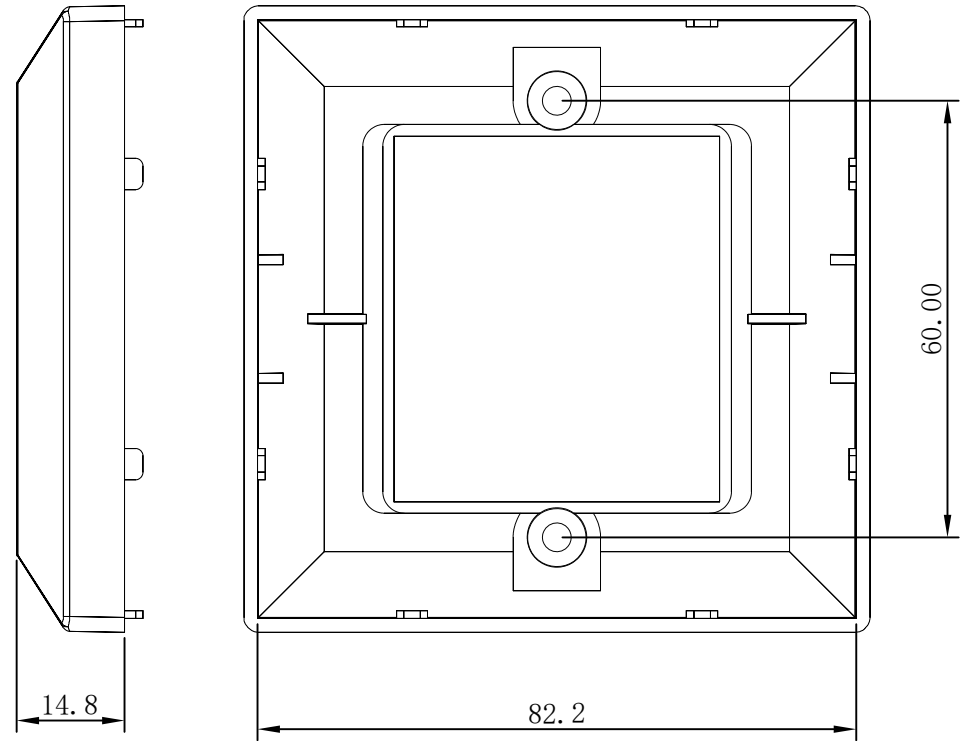
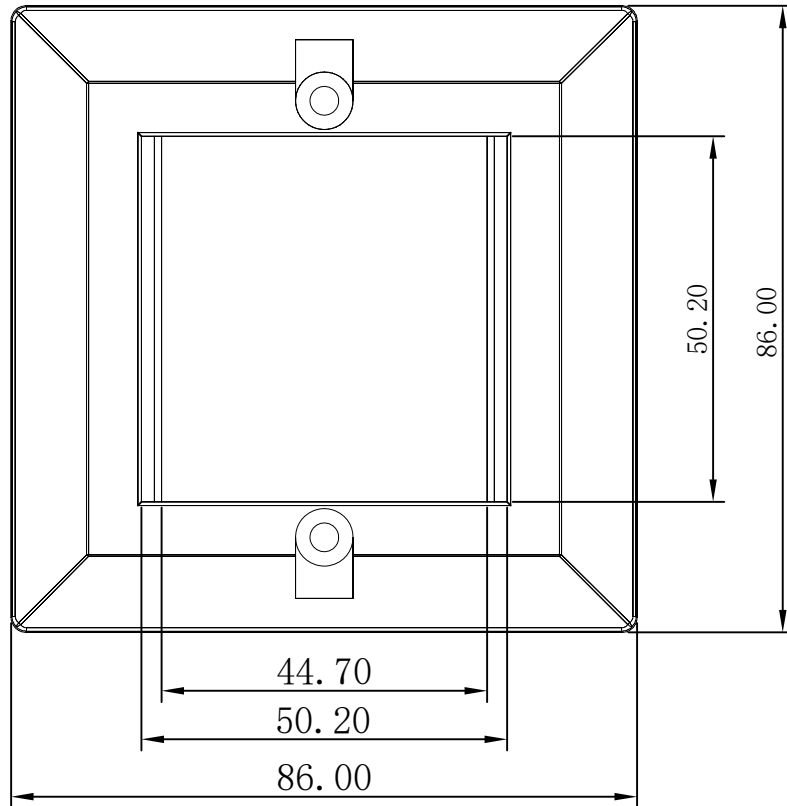
1. USB4 GEN2: (READ) 1600MB/S (min), (WRITE) 1400MB/S(min);
2. Support PD3.1 48V5A 240W
3. The set supports 4K@60Hz video resolution

C. E\_mark: Gen2x2 20G 240W 2M



⑦	DUST COVER	TYPE C MALE DUST COVER	2	PCS
⑥	COPPR FOIL	DOUBLE SIDED CONDUCTIVE COPPER FOIL 5MM*30MM	2	PCS
⑤	MOLDED	45P BLACK PVC		G
④	MOLDED	LDPE		G
③	CONNECTOR 2	TYPE C MALE, GOLD PLATED PIN, NICKEL PLATED SHELL+E_MARK CHIP+TINPLATE SHIELDING SHELL	1	PCS
②	CONNECTOR 1	TYPE C MALE, GOLD PLATED PIN, NICKEL PLATED SHELL+TINPLATE SHIELDING SHELL	1	PCS
①	CABLE	[1/0. 22B*1P+D(1/0. 2B)AL+HM]*4C +1/0. 2B*1P+1/0. 20B*4C+7/0. 20B*2C+F+D(41/0. 08T)+AB(16/5/0. 08T), BLACK PVC JACKET OD:4. 8±0. 2MM	2000	MM
NO.	MATERIAL	DESCRIPTION	QTY.	UNIT

Ltemref	Quantity	Title/Name, designation, material, dimension etc			Article NO./Reference	
Designed by FLY	Checkde by HELEN	Approved by - date 2025. 09. 29	File name	Date 2025. 09. 29	Scale FREE	
ANGLE:				USB3. 2 TYPE M/M		
UNIT:MM				20-1030/8K-6	Edition 1	Sheet 5/7

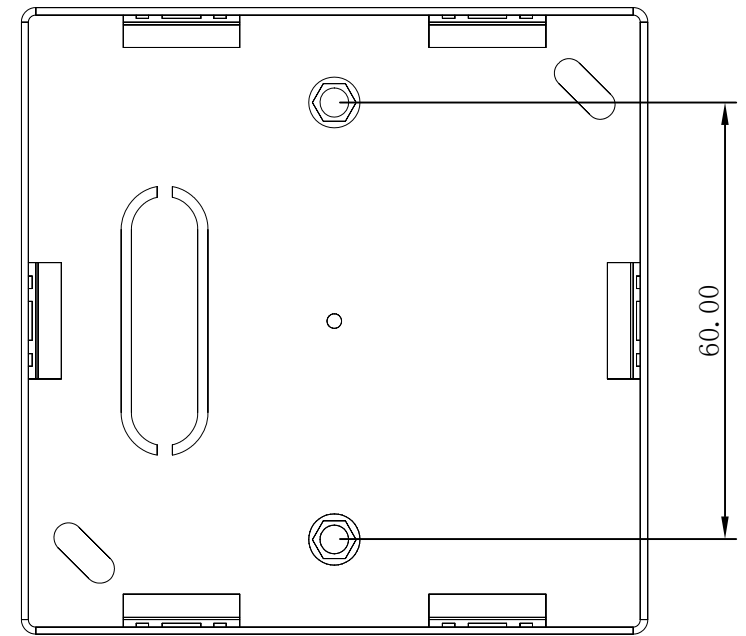
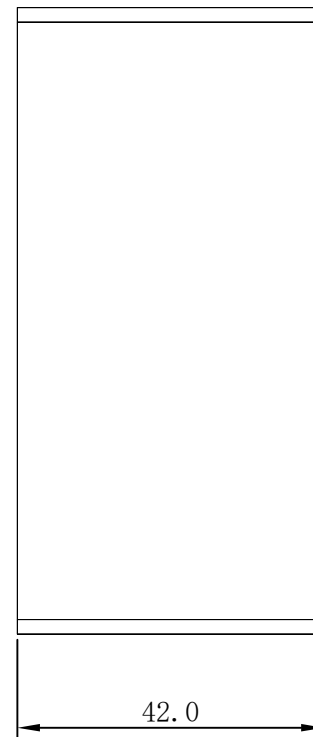
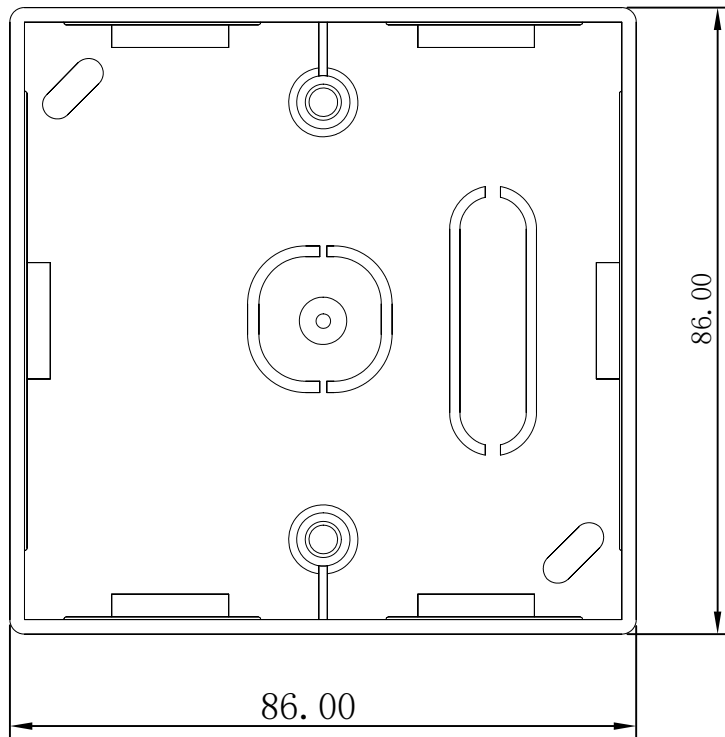


NOTES:

1. MATERIAL: ABS
2. BURR: 0.05mm MAX
3. FACE PLATE COLOR: RAL9003
4. RoHS & REACH Compliant.

Itemref	Quantity	Title/Name, designation, material, dimension etc			Article NO./Reference	
Designed by FLY	Checkde by HELEN	Approved by - date 2025.09.29	File name	Date 2025.09.29	Scale FREE	
ANGLE:				20-1030/8K-7		
UNIT:MM						
				Edition 1	Sheet 6/7	

NO.	MATERIAL	DESCRIPTION	QTY.	UNIT
①	FACE PLATE	DOUBLE GANG FACE PLATE 86*86*14.8	1	PCS



NOTES:

1. MATERIAL: ABS
2. BURR: 0.05mm MAX
3. FACE PLATE COLOR: RAL9003
4. RoHS & REACH Compliant.

Ltemref	Quantity	Title/Name, designation, material, dimension etc			Article NO./Reference	
Designed by FLY	Checkde by HELEN	Approved by - date 2025. 09. 29	File name	Date 2025. 09. 29	Scale FREE	
ANGLE:						
UNIT:MM						
				20-1030/8K-8	Edition 1	Sheet 7/7

①	BACK BOX	DOUBLE GANG BACK BOX 86*86*42	1	PCS
NO.	MATERIAL	DESCRIPTION	QTY.	UNIT