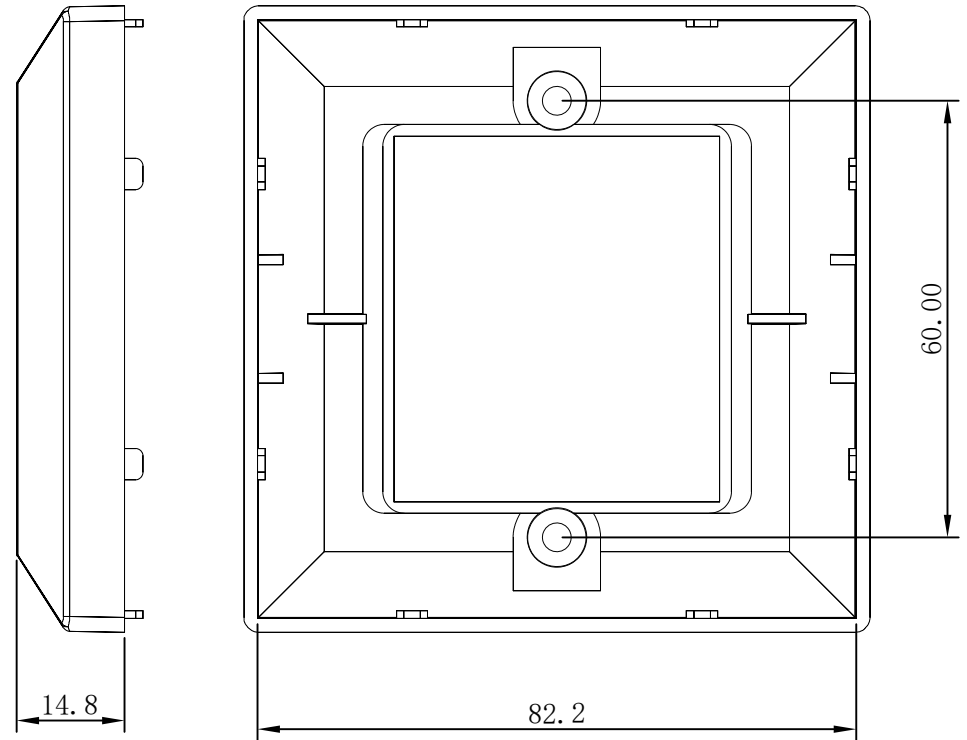
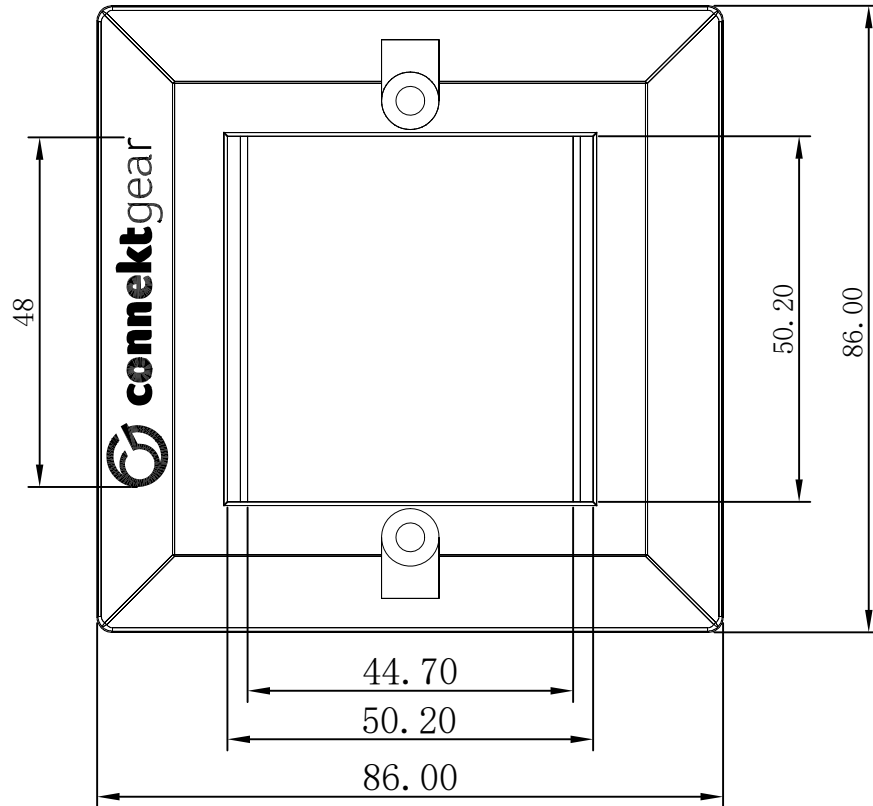


NO.	MATERIAL	DESCRIPTION	QTY.	UNIT	Itemref	Quantity	Title/Name, designation, material, dimension etc	Article NO./Reference	
⑥	20-1030-4	USB2.0 AM/BM 3M	1	PCS					
⑤	20-1030-2	HDMI2.0 AM/AM 28AWG 3M	1	PCS					
④	20-1030-12-1/2	USB2.0 AF/BF 0.35M	1	PCS					
③	20-1030-8-1/2	HDMI2.0 AF/AF 0.3M	1	PCS					
②	20-1030-14	BACK BOX	1	PCS					
①	20-1030-13/GG	FACE PLATE	1	PCS					
					ANGLE:			20-1030/HDMIUSBB	
					UNIT:MM				
								Edition 1	Sheet 1/7

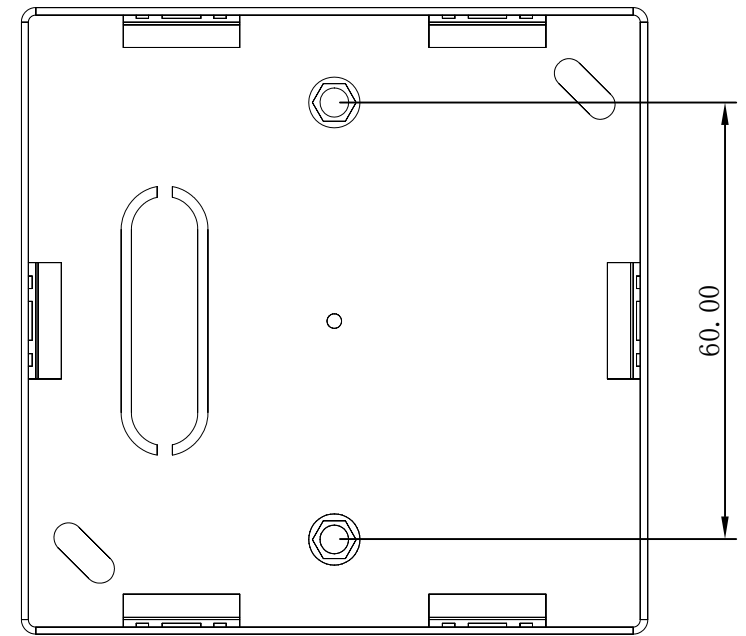
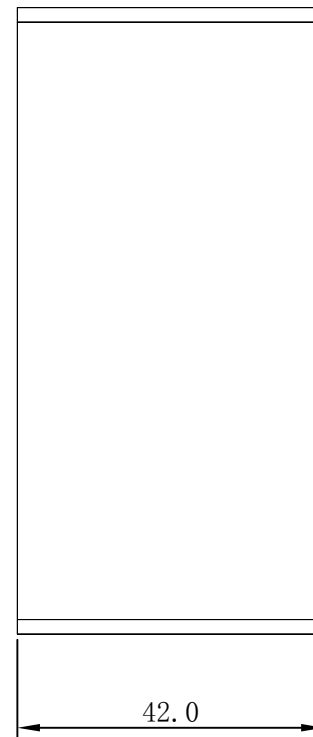
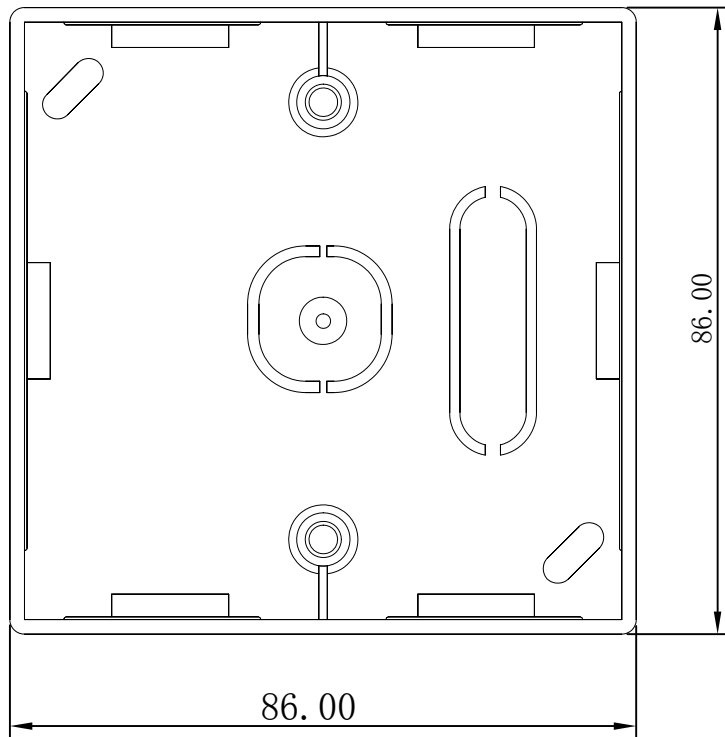


NOTES:

1. MATERIAL: ABS
2. BURR: 0.05mm MAX
3. FACE PLATE COLOR: RAL9003
4. RoHS & REACH Compliant.

Ltemref	Quantity	Title/Name, designation, material, dimension etc			Article NO./Reference	
Designed by FLY	Checkde by HELEN	Approved by - date 2025. 10. 20	File name	Date 2025. 10. 20	Scale FREE	
ANGLE:				20-1030-13/GG		
UNIT:MM				Edition 1	Sheet 2/7	

NO.	MATERIAL	DESCRIPTION	QTY.	UNIT
①	FACE PLATE	DOUBLE GANG FACE PLATE 86*86*14.8	1	PCS

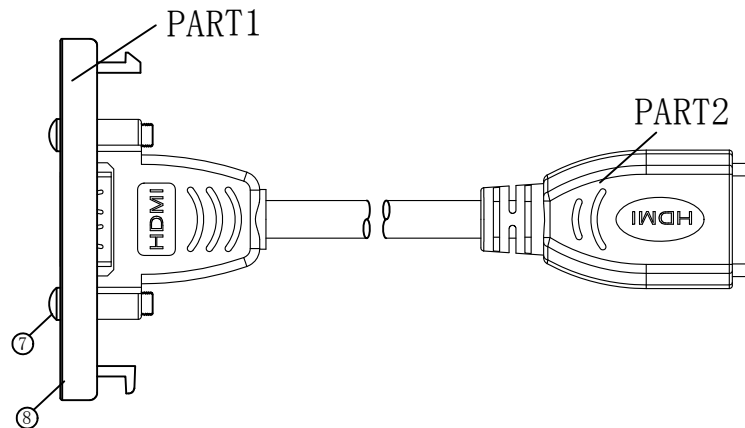
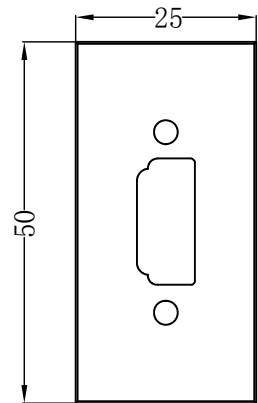


NOTES:

1. MATERIAL: ABS
2. BURR: 0.05mm MAX
3. FACE PLATE COLOR: RAL9003
4. RoHS & REACH Compliant.

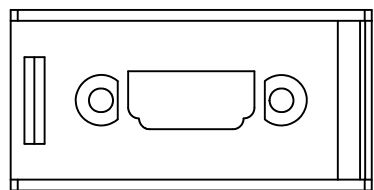
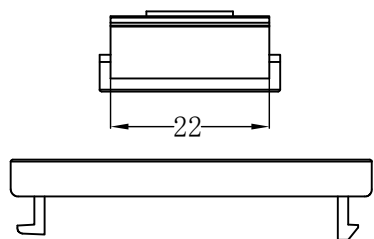
Ltemref	Quantity	Title/Name, designation, material, dimension etc			Article NO./Reference	
Designed by FLY	Checkde by HELEN	Approved by - date 2024. 10. 22	File name	Date 2024. 10. 22	Scale FREE	
ANGLE:					20-1030-14	
UNIT:MM					Edition 1	Sheet 3/7

①	BACK BOX	DOUBLE GANG BACK BOX 86*86*42	1	PCS
NO.	MATERIAL	DESCRIPTION	QTY.	UNIT

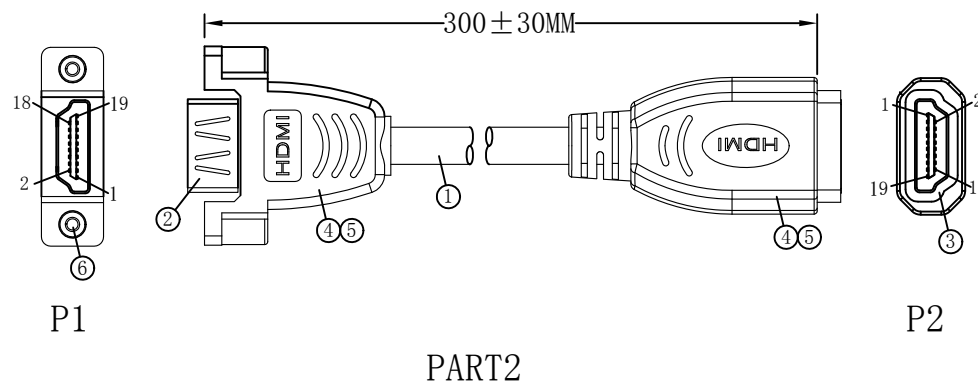


NOTES:

- 1:100% short, open and miss wire test.
- 2:Resolution: 4K*2K@60Hz 4:4:4
- 3.RoHS & REACH Compliant.
- 4:Face plate color:RAL9003



PART1

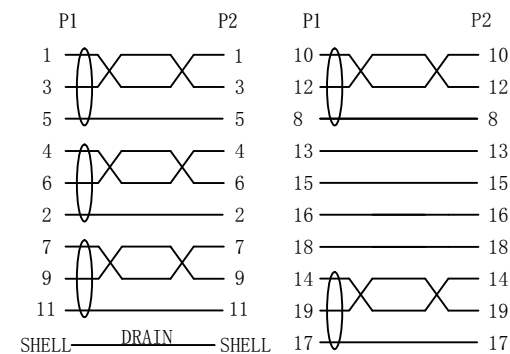


P1

PART2

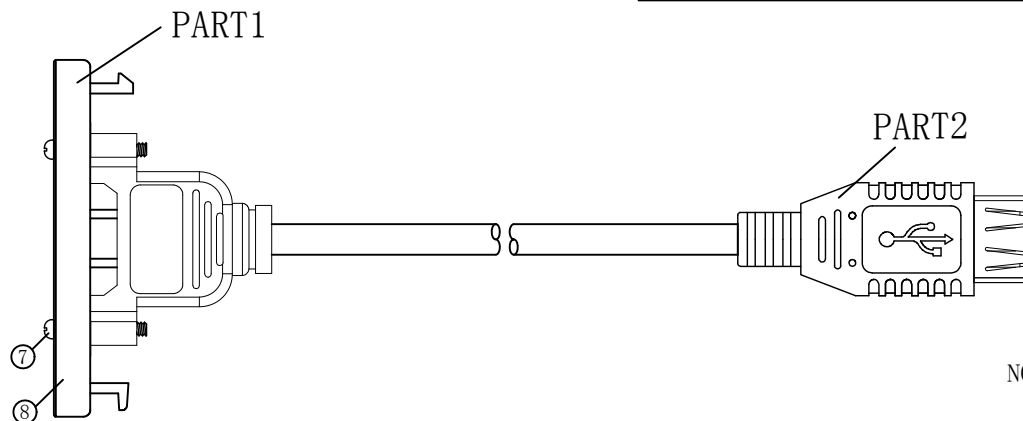
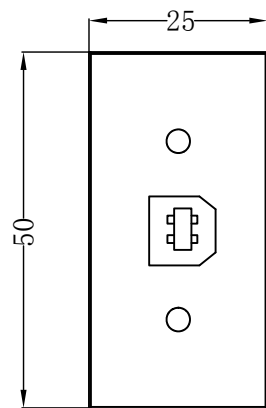
P2

PIN OUT

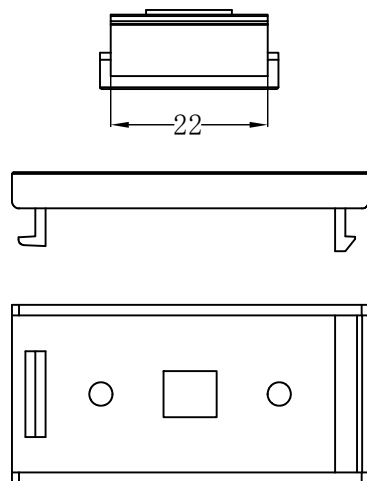


⑧	PANEL	ABS PANEL FOR HDMI AF, 50*25mm, Color:RAL9003	1	PCS
⑦	SCREW	PHILIPS SCREW #4-40 UNC NICKEL PLATED L=12MM	2	PCS
⑥	NUT	EMBEDDED NUT #4-40 UNC NICKEL PLATED L=10MM	2	PCS
⑤	MOLDING	45P BLACK PVC		G
④	MOLDING	LDPE MG70	1	PCS
③	CONNECTOR	HDMI FEMALE, GOLD PLATED PIN, BLACK INSULATION, GOLD PLATED SHELL+BLACK SHEATH	1	PCS
②	CONNECTOR	HDMI FEMALE, GOLD PLATED PIN, BLACK INSULATION, GOLD PLATED SHELL	1	PCS
①	CABLE	[1P*7/0. 12BC)+D(7/0. 12BC)+FAM]*5C+(7/0. 12BC)*4C+AL-FOIL+D(7/0. 12BC)+B(80/0. 12ALM), BLACK PVC JACKET, OD:7.3±0.2mm	300	MM
NO.	MATERIAL	DESCRIPTION	QTY.	UNIT

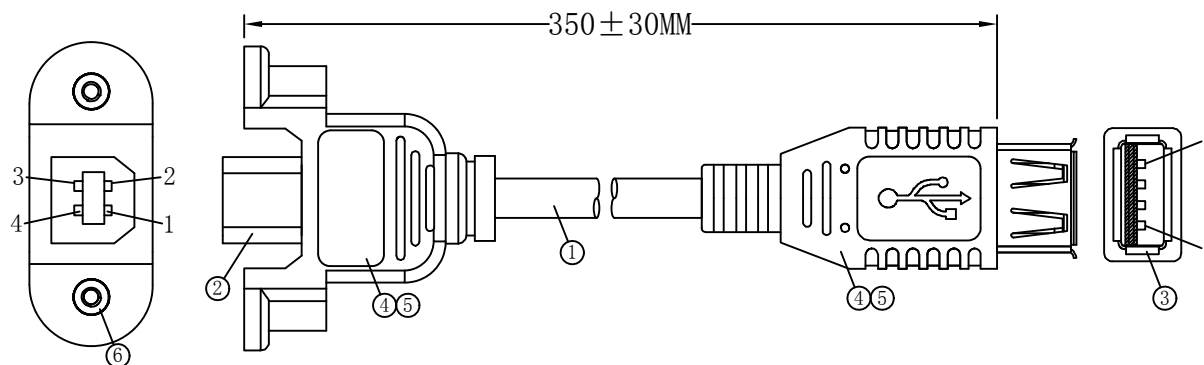
Ltemref	Quantity	Title/Name, designation, material, dimension etc		Article NO./Reference		
Designed by FLY	Checkde by HELEN	Approved by - date 2024.10.22	File name	Date 2024.10.22	Scale FREE	
ANGLE:			20-1030-8-1/2			
UNIT:MM				Edition 1	Sheet 4/7	



NOTES:
 1:Open/Short/Intermittence: 100%.
 2:RoHS & REACH Compliant.
 3:Face plate color:RAL9003



PART1

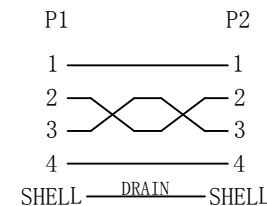


P1

PART2

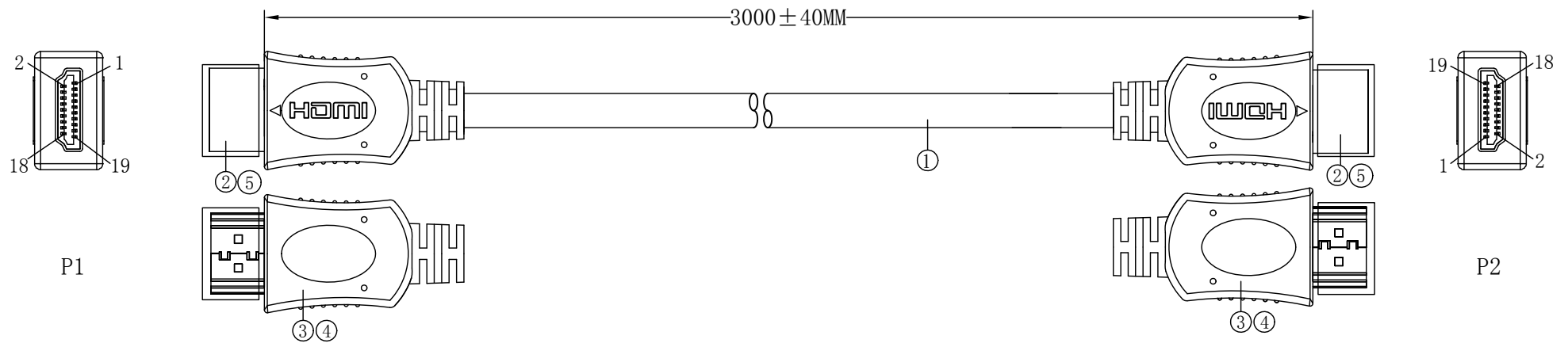
P2

PIN OUT



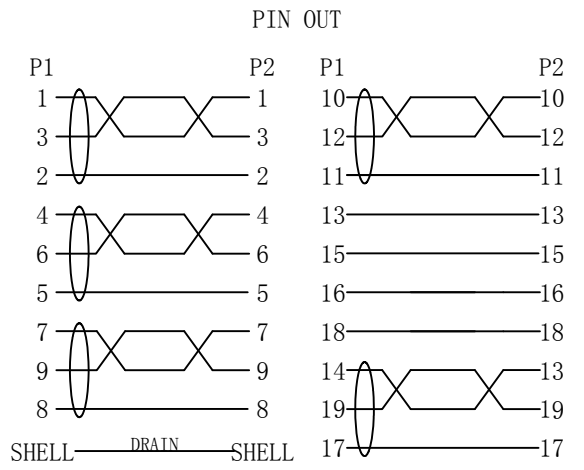
⑧	PANEL	PANEL FOR USB AF, 50*25MM, COLOR:RAL9003	1	PCS
⑦	SCREW	THUMB SCREW #4-40*15	2	PCS
⑥	EMBED NUT	NUT-NICKEL PLATED(#4-40)	2	PCS
⑤	MOLDED	45P BLACK PVC		G
④	MOLDED	LDPE		G
③	CONNECTOR	USB2.0 AF, GOLD PLATED PIN, WHITE INSULATION, NICKEL PLATED SHELL	1	PCS
②	CONNECTOR	USB2.0 BF, GOLD PLATED PIN, WHITE INSULATION, NICKEL PLATED SHELL	1	PCS
①	CABLE	7/0.12BC*1P+7/0.20BC*2C+AL-FOIL+D(1/0.254BC)+B(64/0.12AL-MG), BLACK PVC JACKET OD:4.8±0.2mm	350	MM
NO.	MATERIAL	DESCRIPTION	QTY.	UNIT

Ltemref	Quantity	Title/Name, designation, material, dimension etc			Article NO./Reference		
Designed by FLY	Checkde by HELEN	Approved by - date 2024.10.22	File name	Date 2024.10.22	Scale FREE		
ANGLE:				20-1030-12-1/2			
UNIT:MM					Edition 1	Sheet 5/7	

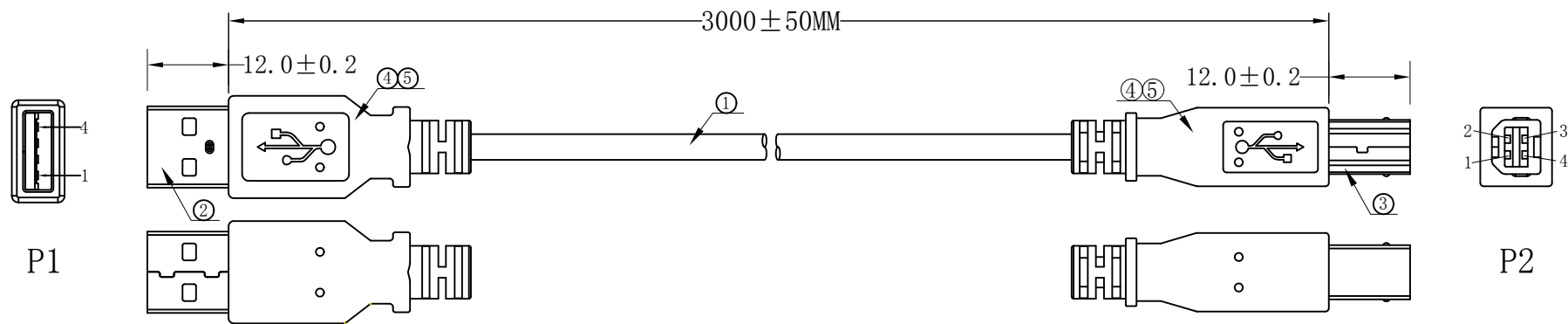


NOTES:

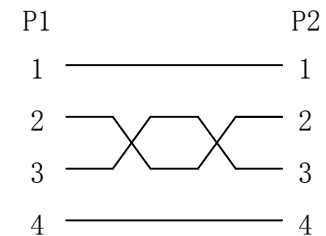
- 1. OPEN/SHORT/INTERMITTENCE:100%.
- 2. INSULATION RESISTANCE:DC 300V 0.01S 10MΩ Min
- 3. CONDUCTIVE RESISTANCE:5 Ω Max
- 4. RESOLUTION:4K*2K@60Hz 4:4:4
- 5. RoHS & REACH COMPLIANT



⑤	DUST CAP	HDMI A MALE DUST CAP	2	PCS	<table border="1"> <tr> <th>Ltemref</th> <th>Quantity</th> <th>Title/Name, designation, material, dimension etc</th> <th colspan="3">Article NO./Reference</th> </tr> <tr> <td>Designed by FLY</td> <td>Checkde by HELEN</td> <td>Approved by - date 2024.10.22</td> <td>File name</td> <td>Date 2024.10.22</td> <td>Scale FREE</td> </tr> <tr> <td colspan="3"> ANGLE: </td> <td colspan="3" rowspan="2">20-1030-2</td> </tr> <tr> <td colspan="3">UNIT:MM</td> <td>Edition 1</td> <td>Sheet 6/7</td> </tr> </table>	Ltemref	Quantity	Title/Name, designation, material, dimension etc	Article NO./Reference			Designed by FLY	Checkde by HELEN	Approved by - date 2024.10.22	File name	Date 2024.10.22	Scale FREE	ANGLE:			20-1030-2			UNIT:MM			Edition 1	Sheet 6/7
Ltemref	Quantity	Title/Name, designation, material, dimension etc	Article NO./Reference																									
Designed by FLY	Checkde by HELEN	Approved by - date 2024.10.22	File name	Date 2024.10.22		Scale FREE																						
ANGLE:			20-1030-2																									
UNIT:MM						Edition 1	Sheet 6/7																					
④	MOLDED	45P BLACK PVC		G																								
③	MOLDED	LDPE		G																								
②	CONNECTOR	HDMI A MALE, GOLD PLATED PIN, BLACK INSULATION, GOLD PLATED SHELL	2	PCS																								
①	CABLE	(1/0.32BC*1P+D+AL/HM)*5C+(1/0.254BC)*4C+AL-FOIL+D+B(80/0.12 AL-MG) BLACK PVC JACKET, OD:7.3±0.2mm MARKING:4K×2K(2160P)Ultra-High Definition • 3D Cable High Speed HDMI™ Cable with Ethernet E***** 兄 AWM STYLE 20276 80℃ 30V VW-1	3000	MM																								
NO.	MATERIAL	DESCRIPTION	QTY.	UNIT																								



PIN OUT



SHELL ————— SHELL

NOTES:

- 1.100% short,open and miss wire test
- 2.RoHS & REACH Compliant

⑤	MOLDED	45P BLACK PVC		G						
④	MOLDED	LDPE		G						
③	CONNECTOR	USB2.0 BM, GOLD PLATED PIN, BLUE INSULATION, NICKEL PLATED SHELL	1	PCS	Ltemref	Quantity	Title/Name, designation, material, dimension etc		Article NO./Reference	
②	CONNECTOR	USB2.0 AM, GOLD PLATED PIN, BLUE INSULATION, NICKEL PLATED SHELL	1	PCS	Designed by FLY	Checkde by HELEN	Approved by - date 2024.10.22	File name	Date 2024.10.22	Scale FREE
①	CABLE	7/0.12BC*1P+7/0.12BC*2C+AL/MY+D(7/0.12CCS)+B(48/0.12ALM) BLACK PVC JACKET OD:3.8±0.2mm MARKING: connektgear AWM STYLE 2725 80°C 30V VW-1 USB2.0 HIGH SPEED CABLE ROHS & REACH COMPLIANT	3000	MM	ANGLE:			20-1030-4		
NO.	MATERIAL	DESCRIPTION	QTY.	UNIT	UNIT:MM				Edition 1	Sheet 7/7