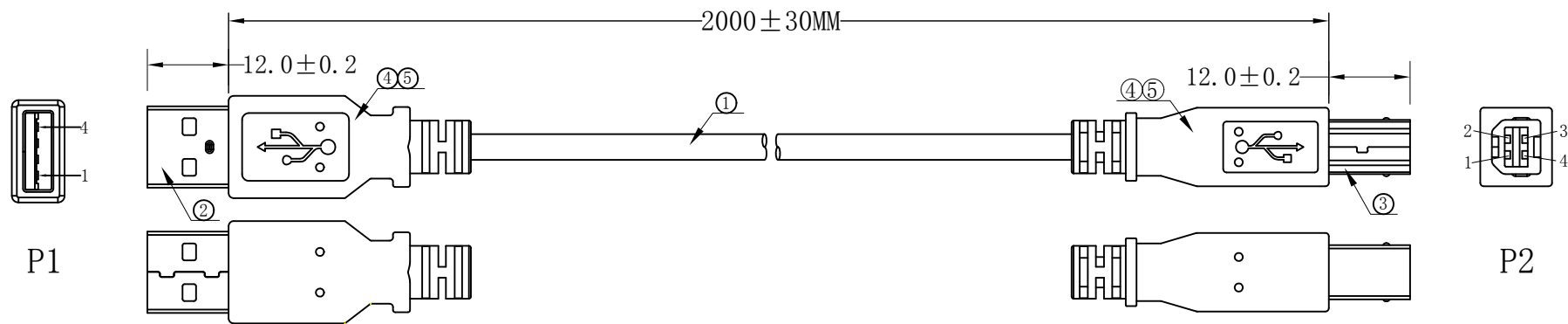
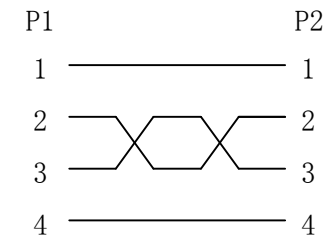


⑦	20-1050-3	USB2.0 AM/AF+IC 5M	1	PCS
⑥	20-1050-2	HDMI2.0 AM/AM 5M	1	PCS
⑤	20-1050-12-1/2	USB2.0 AF/BF 0.35M	1	PCS
④	20-1050-8-1/2	HDMI2.0 AF/AF 0.3M	1	PCS
③	20-1050-14	BACK BOX	1	PCS
②	20-1050-13/GG	FACE PLATE	1	PCS
①	20-1050-15	USB2.0 AM/BM 2M	1	PCS
NO.	MATERIAL	DESCRIPTION	QTY.	UNIT

Ltemref	Quantity	Title/Name, designation, material, dimension etc			Article NO./Reference	
Designed by FLY	Checkde by HELEN	Approved by - date 2025. 10. 21	File name	Date 2025. 10. 21	Scale FREE	
ANGLE:				20-1050/HDMIUSBB		
UNIT:MM				Edition 1	Sheet 1/8	



PIN OUT



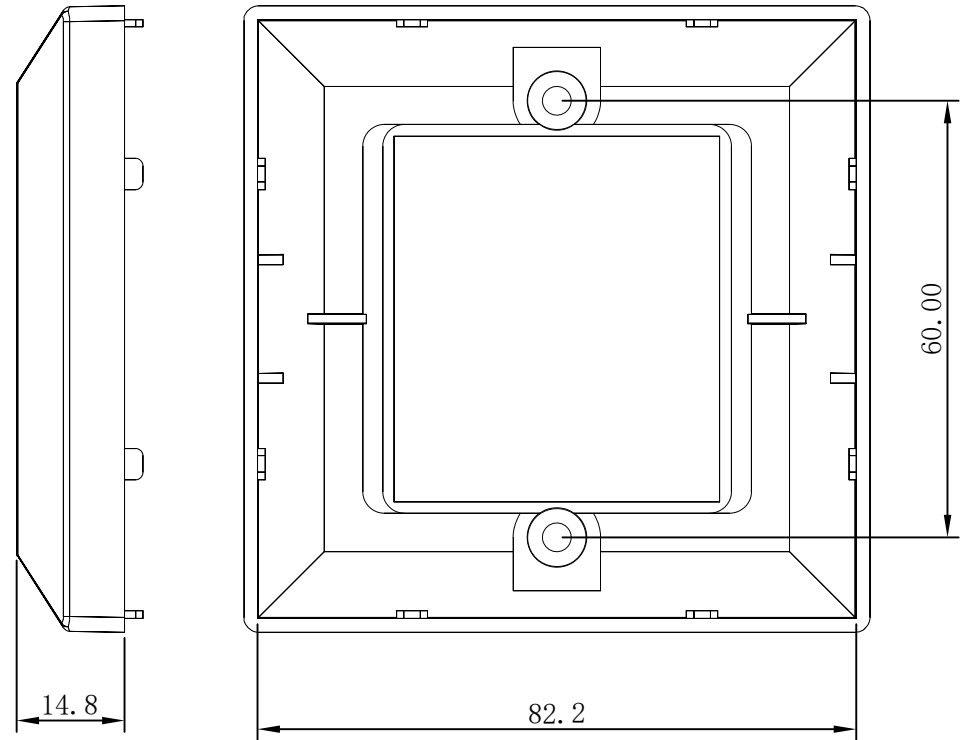
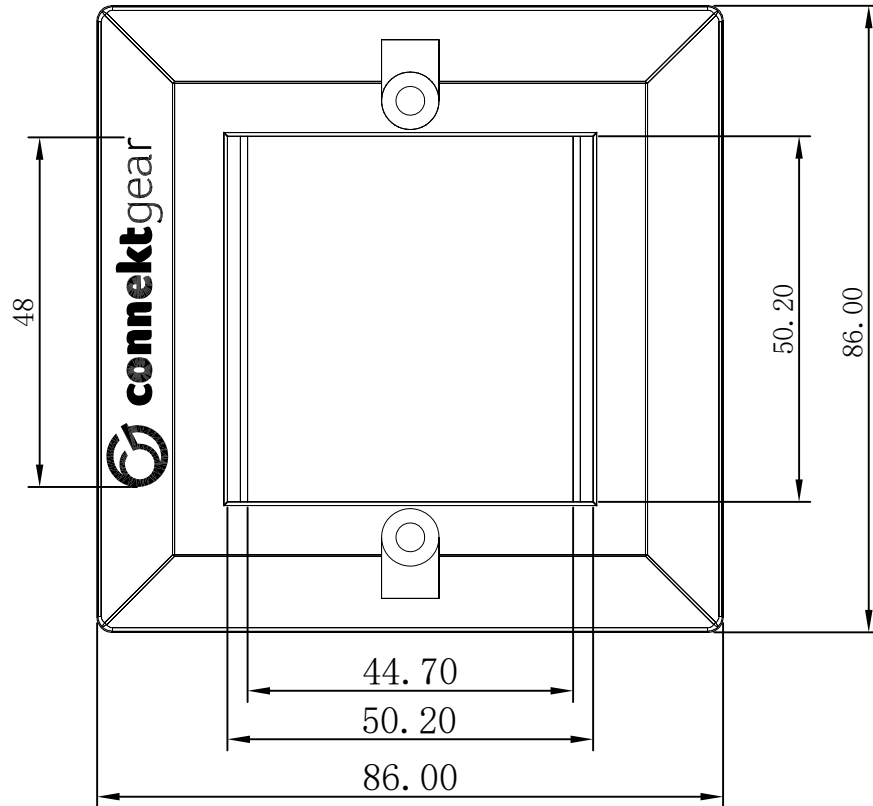
SHELL ————— SHELL

NOTES:

- 1.100% short,open and miss wire test
- 2.RoHS & REACH Compliant

⑤	MOLDED	45P BLACK PVC		G
④	MOLDED	LDPE		G
③	CONNECTOR	USB2.0 BM, GOLD PLATED PIN, BLUE INSULATION, NICKEL PLATED SHELL	1	PCS
②	CONNECTOR	USB2.0 AM, GOLD PLATED PIN, BLUE INSULATION, NICKEL PLATED SHELL	1	PCS
①	CABLE	7/0.12BC*1P+7/0.12BC*2C+AL/MY+D(7/0.12CCS)+B(48/0.12ALM) BLACK PVC JACKET OD:3.8±0.2mm MARKING: connektgear AWM STYLE 2725 80°C 30V VW-1 USB2.0 HIGH SPEED CABLE ROHS & REACH COMPLIANT	2000	MM
NO.	MATERIAL	DESCRIPTION	QTY.	UNIT

Ltemref	Quantity	Title/Name, designation, material, dimension etc			Article NO./Reference		
Designed by FLY	Checkde by HELEN	Approved by - date 2024.10.22	File name	Date 2024.10.22	Scale FREE		
ANGLE:				20-1050-15			
UNIT:MM				Edition 1	Sheet 2/8		

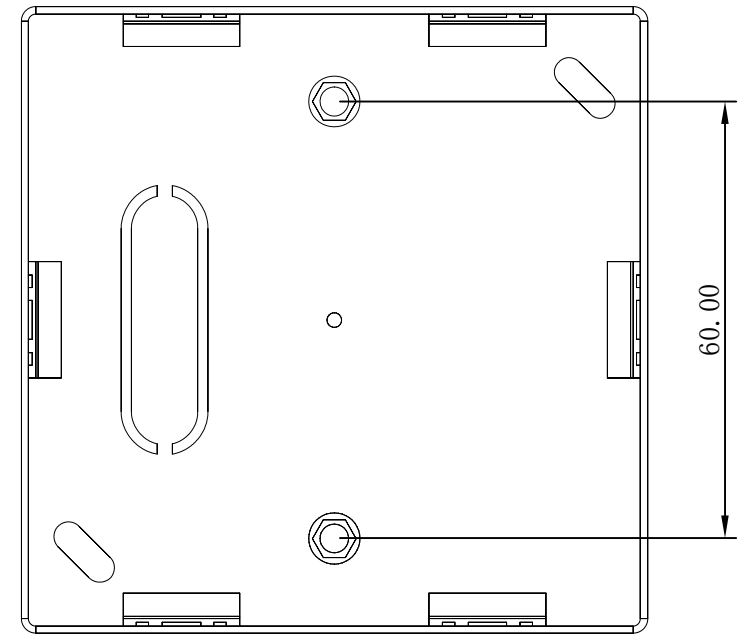
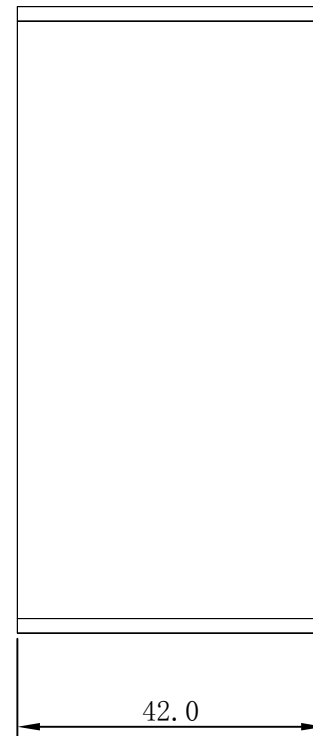
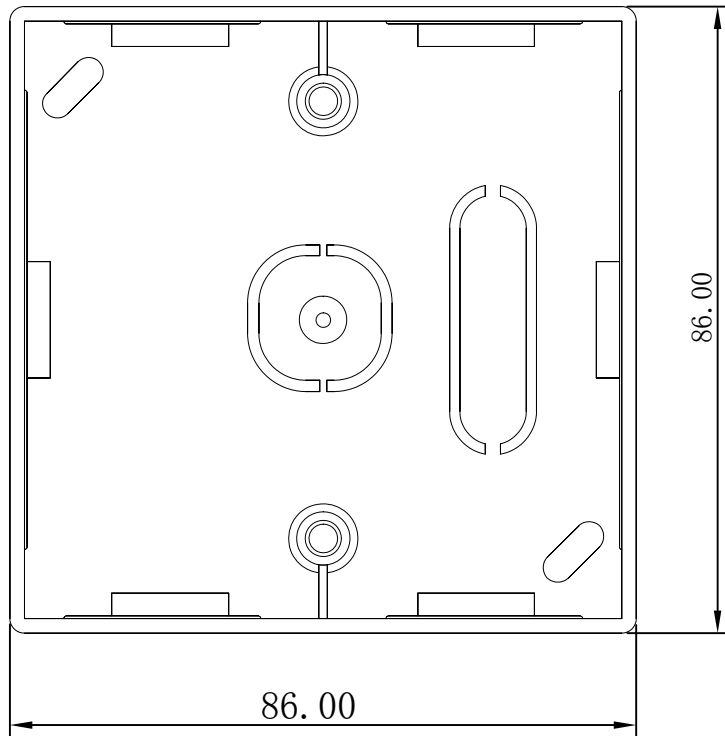


NOTES:

1. MATERIAL: ABS
2. BURR: 0.05mm MAX
3. FACE PLATE COLOR: RAL9003
4. RoHS & REACH Compliant.

Itemref	Quantity	Title/Name, designation, material, dimension etc			Article NO./Reference	
Designed by FLY	Checkde by HELEN	Approved by - date 2025. 10. 21	File name	Date 2025. 10. 21	Scale FREE	
ANGLE:				20-1050-13/GG		
UNIT:MM				Edition 1	Sheet 3/8	

①	FACE PLATE	DOUBLE GANG FACE PLATE 86*86*14.8	1	PCS
NO.	MATERIAL	DESCRIPTION	QTY.	UNIT

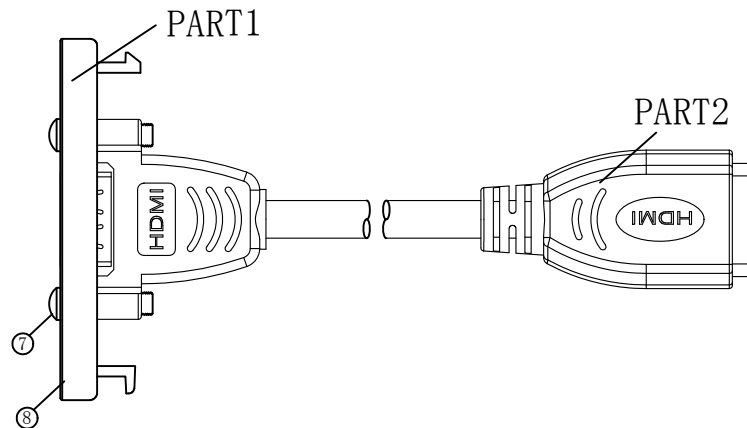
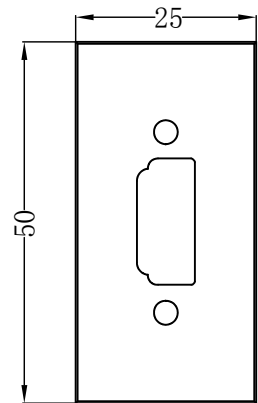


NOTES:

1. MATERIAL: ABS
2. BURR: 0.05mm MAX
3. FACE PLATE COLOR: RAL9003
4. RoHS & REACH Compliant.

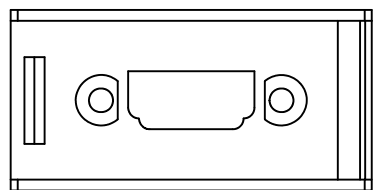
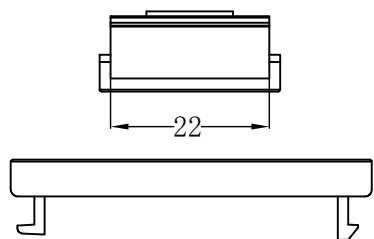
Ltemref	Quantity	Title/Name, designation, material, dimension etc			Article NO./Reference	
Designed by FLY	Checkde by HELEN	Approved by - date 2024. 10. 22	File name	Date 2024. 10. 22	Scale FREE	
ANGLE:					20-1050-14	
UNIT:MM					Edition 1	Sheet 4/8

①	BACK BOX	DOUBLE GANG BACK BOX 86*86*42	1	PCS
NO.	MATERIAL	DESCRIPTION	QTY.	UNIT

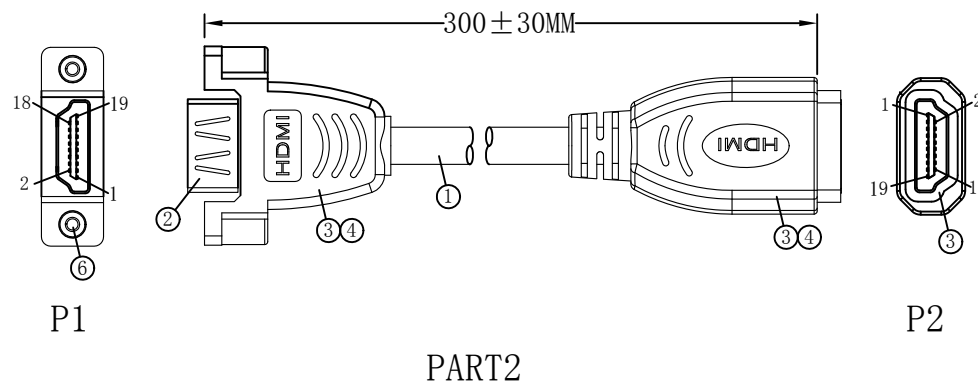


NOTES:

- 1:100% short, open and miss wire test.
- 2:Resolution: 4K\*2K@60Hz 4:4:4
- 3.RoHS & REACH Compliant.
- 4:Face plate color:RAL9003



PART1

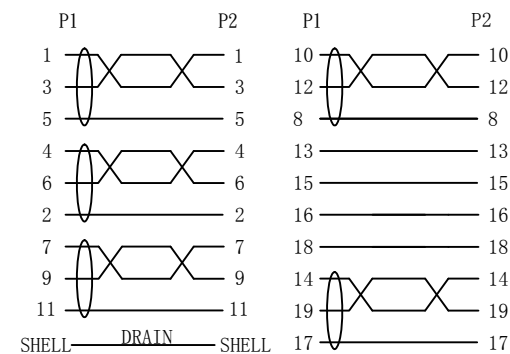


P1

PART2

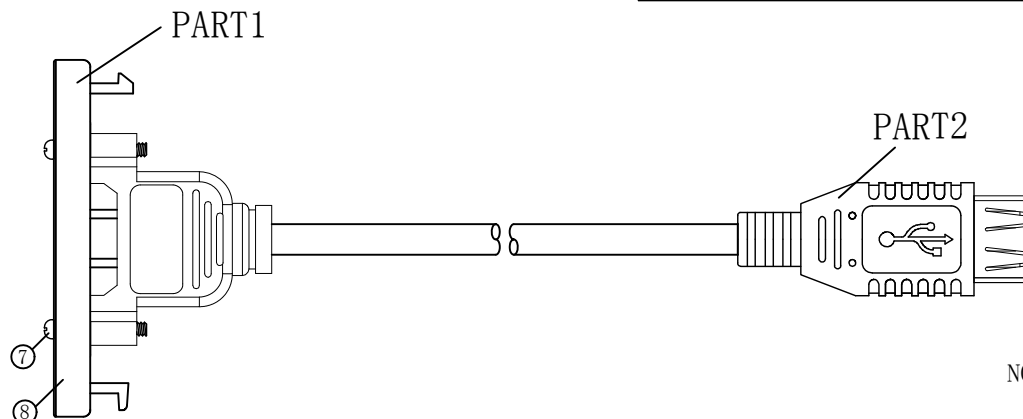
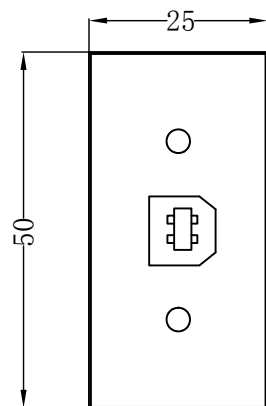
P2

PIN OUT

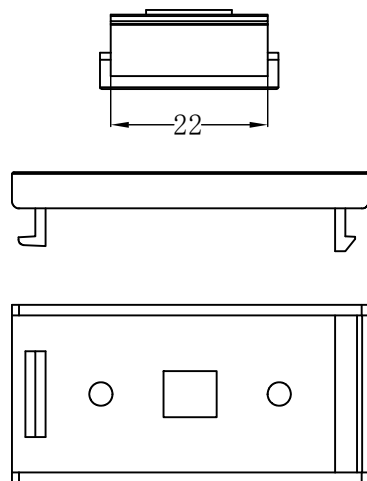


⑧	PANEL	ABS PANEL FOR HDMI AF, 50*25mm, Color:RAL9003	1	PCS
⑦	SCREW	PHILIPS SCREW #4-40 UNC NICKEL PLATED L=12MM	2	PCS
⑥	NUT	EMBEDED NUT #4-40 UNC NICKEL PLATED L=10MM	2	PCS
⑤	MOLDING	45P BLACK PVC		G
④	MOLDING	LDPE MG70	1	PGS
③	CONNECTOR	HDMI FEMALE, GOLD PLATED PIN, BLACK INSULATION, GOLD PLATED SHELL+BLACK SHEATH	1	PCS
②	CONNECTOR	HDMI FEMALE, GOLD PLATED PIN, BLACK INSULATION, GOLD PLATED SHELL	1	PCS
①	CABLE	[1P*7/0. 12BC)+D(7/0. 12BC)+FAM]*5C+(7/0. 12BC)*4C+AL-FOIL+D(7/0. 12BC)+B(80/0. 12ALM), BLACK PVC JACKET, OD:7. 3±0. 2mm	300	MM
NO.	MATERIAL	DESCRIPTION	QTY.	UNIT

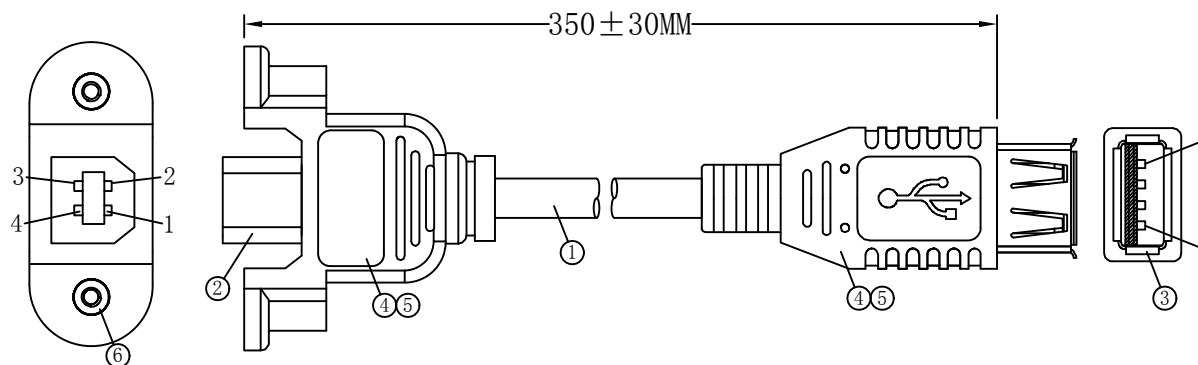
Ltemref	Quantity	Title/Name, designation, material, dimension etc		Article NO./Reference		
Designed by FLY	Checkde by HELEN	Approved by - date 2024. 10. 22	File name	Date 2024. 10. 22	Scale FREE	
ANGLE:				20-1050-8-1/2		
UNIT:MM				Edition 1	Sheet 5/8	



NOTES:  
 1:Open/Short/Intermittence: 100%.  
 2:RoHS & REACH Compliant.  
 3:Face plate color:RAL9003



PART1

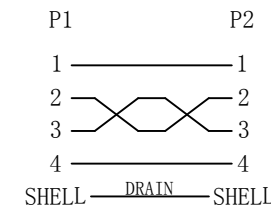


P1

PART2

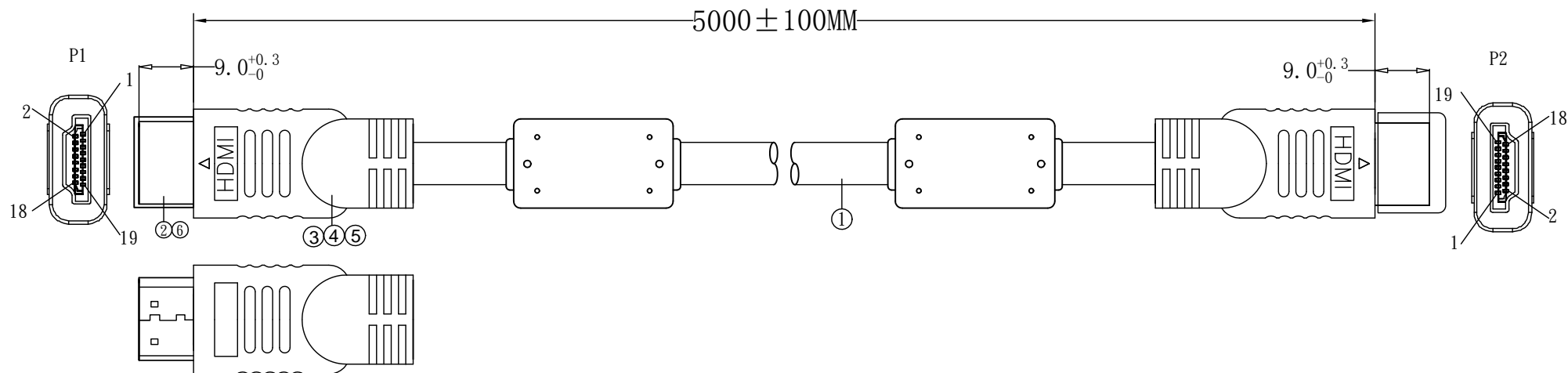
P2

PIN OUT



⑧	PANEL	PANEL FOR USB AF, 50*25MM, COLOR:RAL9003	1	PCS
⑦	SCREW	THUMB SCREW #4-40*15	2	PCS
⑥	EMBED NUT	NUT-NICKEL PLATED(#4-40)	2	PCS
⑤	MOLDED	45P BLACK PVC		G
④	MOLDED	LDPE		G
③	CONNECTOR	USB2.0 AF, GOLD PLATED PIN, WHITE INSULATION, NICKEL PLATED SHELL	1	PCS
②	CONNECTOR	USB2.0 BF, GOLD PLATED PIN, WHITE INSULATION, NICKEL PLATED SHELL	1	PCS
①	CABLE	7/0. 12BC*1P+7/0. 20BC*2C+AL-FOIL+D(1/0. 254BC)+B(64/0. 12AL-MG), BLACK PVC JACKET OD:4.8±0.2mm	350	MM
NO.	MATERIAL	DESCRIPTION	QTY.	UNIT

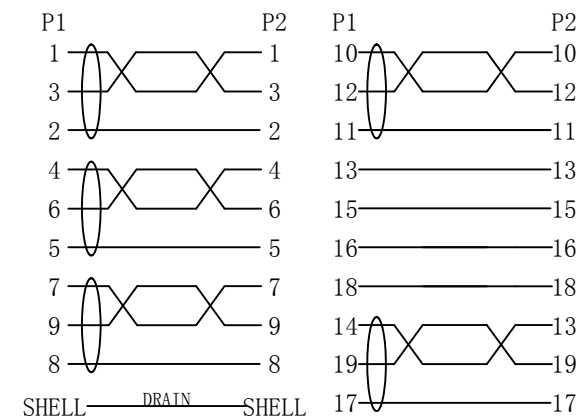
Ltemref	Quantity	Title/Name, designation, material, dimension etc			Article NO./Reference		
Designed by FLY	Checkde by HELEN	Approved by - date 2024. 10. 22	File name	Date 2024. 10. 22	Scale FREE		
ANGLE:				20-1050-12-1/2			
UNIT:MM					Edition 1	Sheet 6/8	



NOTES:

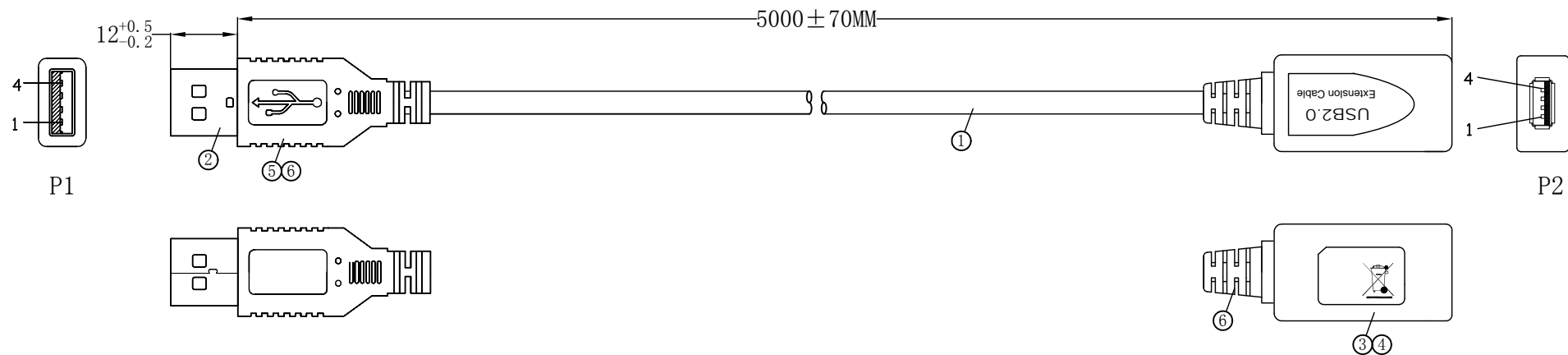
1. OPEN/SHORT/INTERMITTENCE:100%.
2. INSULATION RESISTANCE:DC 300V 0.01S 10MΩ MIN
3. CONDUCTIVE RESISTANCE:5Ω MAX
4. RESOLUTION:4K\*2K@60HZ 4:4:4 8BIT.
5. ROHS & REACH COMPLIANT

PIN OUT



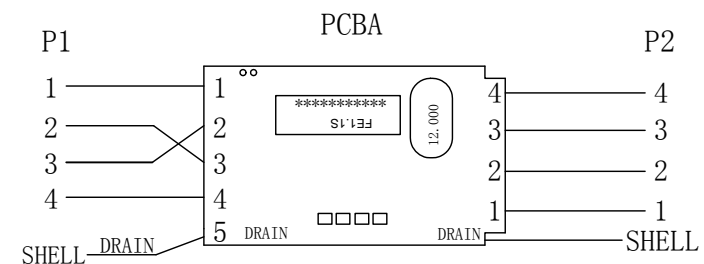
⑥	DUST CAP	HDMI A MALE DUST CAP	2	PCS
⑤	FERRIT RING	FERRITE MAGNETIC RING RH14. 2*28. 5*9MM	2	PCS
④	MOLDED	45P BLACK PVC		G
③	MOLDED	LDPE		G
②	CONNECTOR	HDMI A MALE, GOLD PLATED PIN, BLACK INSULATION, GOLD PLATED SHELL	2	PCS
①	CABLE	(1/0. 404BC*1P+1/0. 254BC+AL+HM)*4C+(1/0. 254BC*1P+1/0. 254TC+AL+HM)*1C+1/0. 254BC*3C +1/0. 404BC+AL+D(1/0. 32BC)+B(12S/0. 12AL-MG) BLACK PVC JACKET OD:9.0±0.2MM MARKING:4K×2K(2160P)Ultra-High Definition 3D Cable High Speed HDMI™ Cable with Ethernet E***** 兄 AWM 20276 80℃ 30V VW-1	5000	MM
NO.	MATERIAL	DESCRIPTION	QTY.	UNIT

Ltemref	Quantity	Title/Name, designation, material, dimension etc			Article NO./Reference		
Designed by FLY	Checkde by HELEN	Approved by - date 2024. 10. 22	File name	Date 2024. 10. 22	Scale FREE		
ANGLE:				20-1050-2			
UNIT:MM				Edition 1	Sheet 7/8		



NOTES:  
 1. 100% short, open and miss wire test  
 2. RoHS & REACH Compliant

### PIN OUT



⑥	MOLDED	45P BLACK PVC		G
⑤	MOLDED	LDPE		G
④	PLASTIC HOOD	USB2.0 AF BLACK PLASTIC HOOD	1	PCS
③	CONNECTOR	USB2.0 AF, GOLD PLATED PIN, BLUE INSULATION, NICKEL PLATED SHELL+PCB-FE1.1S	1	PCS
②	CONNECTOR	USB2.0 AM, GOLD PLATED PIN, BLUE INSULATION, NICKEL PLATED SHELL	1	PCS
①	CABLE	7/0.12TC*1P+7/0.20*2C+AL-FOIL+D(1/0.254BC)+B(64/0.12AL-MG) BLACK PVC JACKET OD: 4.5 ± 0.2mm MARKING: E***** 兄 AWM 2725 80°C 30V VW-1 28AWG/1P AND 24AWG/2C USB2.0 CABLE	5000	MM
NO.	MATERIAL	DESCRIPTION	QTY.	UNIT

Ltemref	Quantity	Title/Name, designation, material, dimension etc			Article NO./Reference	
Designed by FLY	Checkde by HELEN	Approved by - date 2024.10.22	File name	Date 2024.10.22	Scale FREE	
ANGLE:				20-1050-3		
UNIT:MM				Edition 1	Sheet 8/8	