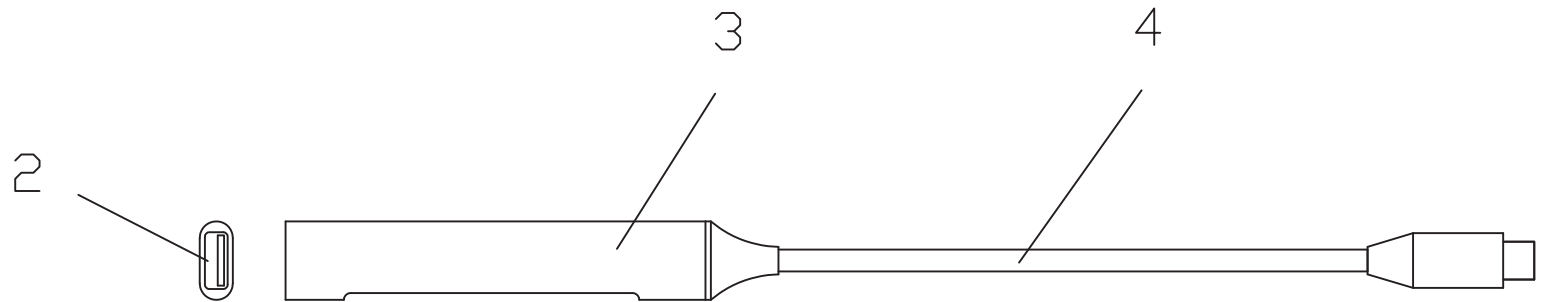
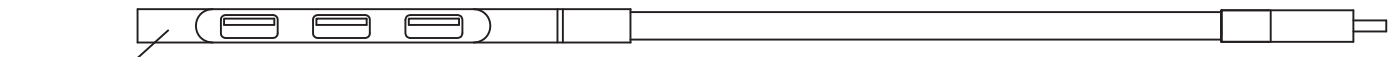


REV. NO.	REV. NOTE	DATE	SIGNED	CHECKED



top view



side view

specifications

1. USB C upstream ports to computers, ipad, android.
2. plug & play no driver installation required.
3. a free USB C port in computer, to expand 1x USB3.0A 5Gbps. . 3x USB2.0A 480Mbps, BC1.2 at 5V0.5A mode for charging.
4. aluminum housing, rigid and strong, sleek and portable.
5. light weighted.
6. OS supported: Windows7/8/10 or above, Mac8.6 or above, android. no driver installation required.

NO.	MATERIAL	DESCRIPTION
5	USB2.0 4PORTS PCB	PCBA, WITH 1XUSB3.0A, 3XUSB2.0A
4	USB TYPE-C CABLE	TYPE-C MALE PLUG CABLE, USB3.0, BLACK
3	HOUSING	ALUMINUM HOUSING, GREY COLOR, WITH LOGO
2	USB3.0 FEMALE CON.	USB3.0 CONNECTOR, FEMALE, BLUE CORE, NICKLE PLATED
1	USB2.0 FEMALE CON.	USB2.0 CONNECTOR, FEMALE. BLACK CORE. NICKLE PLATED

Item ref.	Quantity	Title/Name.description,material,dimension etc.			Article No./Ref.	
Designed by	Checked	Approved by-date		File name	Date	Scale
ANGLE:	UNIT:MM			USB3.0 4Ports HUB		
				25-0065	Edition	Sheet