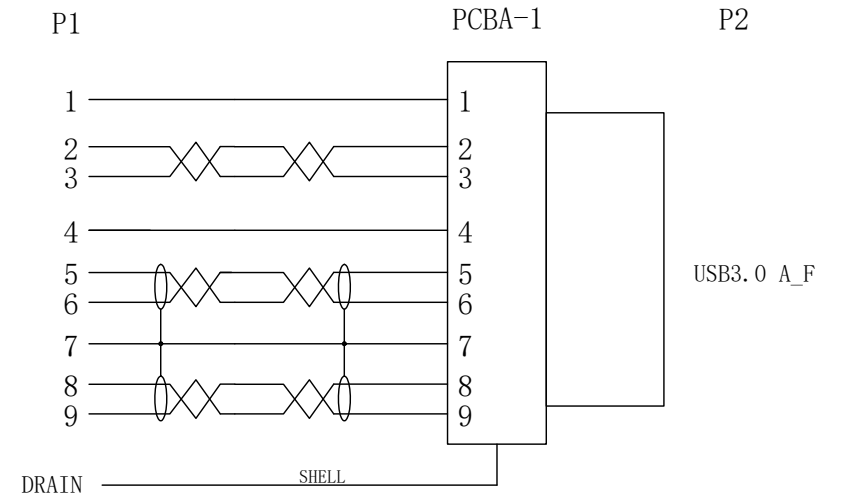


P/N	L/mm	T/mm
26-3030	3000	100
26-3050	5000	100

PIN OUT



NOTES:

1. Read & Write speed more than 300MB/S with SSD disk.
2. Recommend to use power adapter with Micro_B output DC5V 2A.
3. RoHS & REACH COMPLIANT

NO.	MATERIAL	DESCRIPTION	QTY.	UNIT
⑦	MOLDED	45P BLACK PVC		G
⑥	MOLDED	LDPE		G
⑤	PLASTIC HOOD	BLACK PLASTIC HOOD	1	PCS
④	PCBA	USB3.0 PCBA(IC:VL211)	1	PCS
③	CONNECTOR	USB3.0 A FEMALE, GOLD PLATED PIN, BLUE INSULATION, NICKEL PLATED SHELL	1	PCS
②	CONNECTOR	USB3.0 A MALE, GOLD PLATED PIN, BLUE INSULATION, NICKEL PLATED SHELL	1	PCS
①	CABLE	[7/0. 127TC*1P+D(7/0. 10TC)+AL+MYALR)*2C+7/0. 127TC*1P+7/0. 20*2C+AL-FOIL+D(1/0. 32BC)+B(96/0. 12AL-MG)], BLACK PVC JACKET, OD:5.5±0.2mm, MARKING: HIGH SPEED USB 3.0 CABLE	L	MM

Ltemref	Quantity	Title/Name, designation, material, dimension etc			Article NO./Reference		
Designed by FLY		Checkde by HELEN	Approved by - date 2025. 11. 26	File name	Date 2025. 11. 26	Scale FREE	
ANGLE:					USB3.0 AM-AF+IC		
UNIT:MM					26-30X0	Edition 1	Sheet 1/1