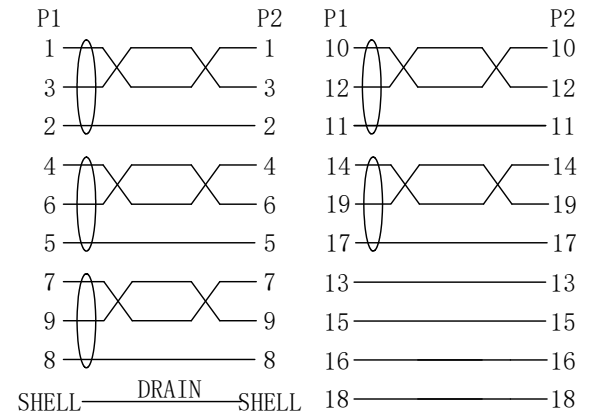


PIN OUT



A. Electronic Tests:

1. Open/Short/Intermittence: 100%
2. Hi-Pot: AC 150V 0.01S 1mA
3. Insulation Resistance: DC 300V 0.01S 10MΩ Min
4. Conductive Resistance: 2Ω Max

B. Functional Test:

1. Supports 7680*4320@60HZ or 3840*2160@120Hz video resolution

| | | | | |
|-----|-----------|--|------|------|
| ⑤ | DUST CAP | HDMI A MALE DUST CAP | 2 | PCS |
| ④ | MOLDED | 45P BLACK PVC | | G |
| ③ | MOLDED | LDPE | | G |
| ② | CONNECTOR | HDMI 19P A MALE, GOLD PLATED PIN, BLACK INSULATION, GOLD PLATED SHELL+INTEGRATED TINPLATE | 2 | PCS |
| ① | CABLE | HDMI2.1 [(1/0.34BC)*2C+D(1/0.254TC)+AL-FOIL]*5C+(1/0.25BC)*4C+AL-FOIL+D(1/0.25BC)+B(16/10/0.12 AL-Mg), BLACK PVC JACKET, OD:7.3±0.2MM MARKING:Ultra High Speed HDMI™ Cable with Etherne | 2000 | MM |
| NO. | MATERIAL | DESCRIPTION | QTY. | UNIT |

| | | | | | | |
|--------------------|---------------------|--|-----------|--------------------|-----------------------|--------------|
| Ltemref | Quantity | Title/Name, designation, material, dimension etc | | | Article NO./Reference | |
| Designed by FLY | Checkde by HELEN | Approved by - date 2026.03.27 | File name | Date 2026.03.27 | Scale FREE | |
| ANGLE: | | HDMI2.1 AM-AM | | | | |
| UNIT:MM | | 26-7020/2.1 | | | Edition 1 | Sheet 1/1 |