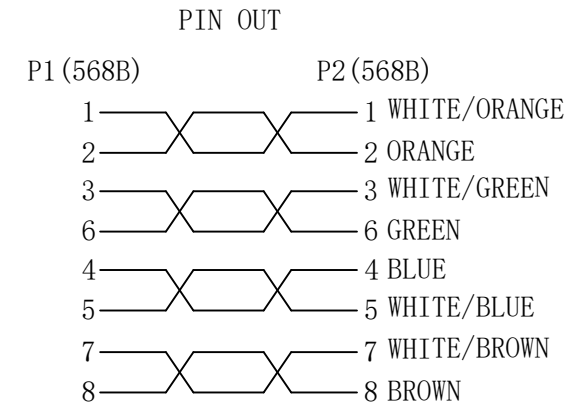


P/N	L/mm	T/mm
31-0003X	300	10
31-0005X	500	10
31-0010X	1000	20
31-0015X	1500	20
31-0020X	2000	30
31-0030X	3000	50
31-0050X	5000	80
31-0070X	7000	100
31-0100X	10000	100
31-0120X	12000	120
31-0150X	15000	150
31-0200X	20000	150
31-0250X	25000	200
31-0300X	30000	200
31-0350X	35000	250
31-0500X	50000	300

X	Color
BK	BLACK
R	RED
PN	PINK
O	ORANGE
Y	YELLOW
GN	GREEN
B	BLUE
P	PURPLE
G	GREY
W	WHITE
BR	BROWN



NOTES:
 1. 100% Open, Short And Misalignment Test
 2. RoHS & REACH Compliant
 3. Printing: connektgear 4 Pairs 24AWG LSZH CAT6 Verified For Gigabit Ethernet RoHS & REACH Compliant 7822851

③	MOLDED	PVC			G
②	CONNECTOR	RJ45 8P8C, Gold Plated PIN		2	PCS
①	CABLE	UTP CAT6 24#(7/0.19CCA)*4P+CROSS FILLER, LSZH JACKET, OD:6.0±0.2MM		L	MM
NO.	MATERIAL	DESCRIPTION	QTY.	UNIT	UNIT:MM

Ltemref	Quantity	Title/Name, designation, material, dimension etc			Article NO./Reference	
Designed by FLY	Checkde by HELEN	Approved by - date 2025. 10. 17	File name	Date 2025. 10. 17	Scale FREE	
ANGLE:					UTP CAT6 24AWG CCA LSZH JACKET	
				Edition 1	Sheet 1/1	